

by winsa

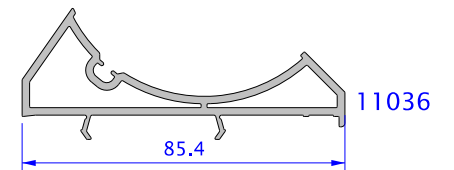
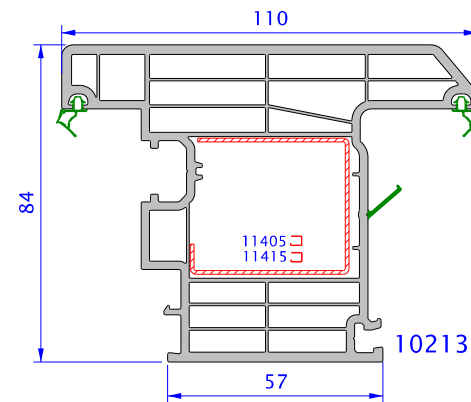
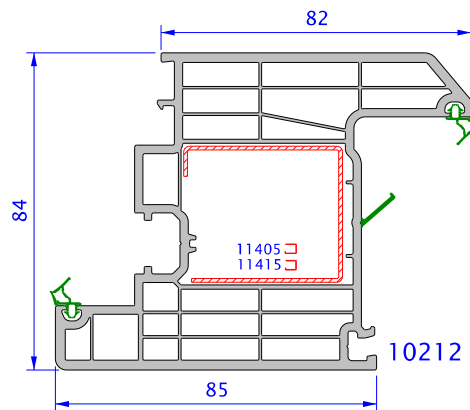
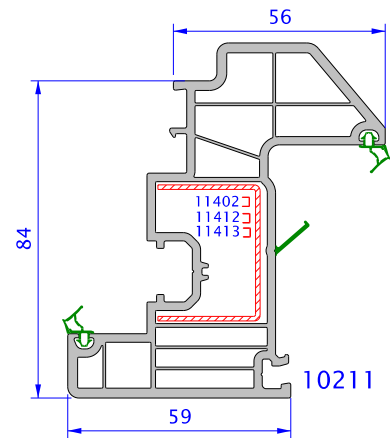
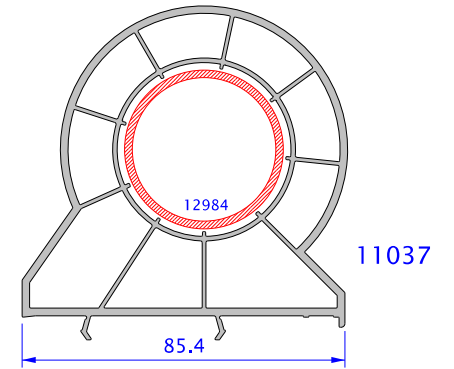
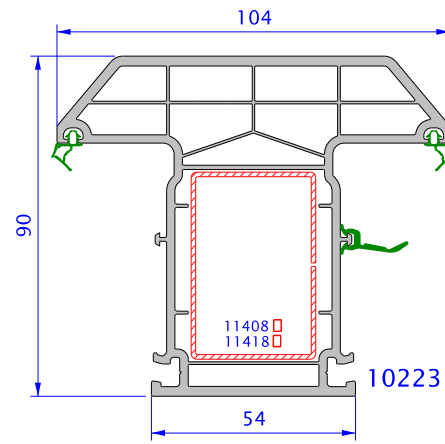
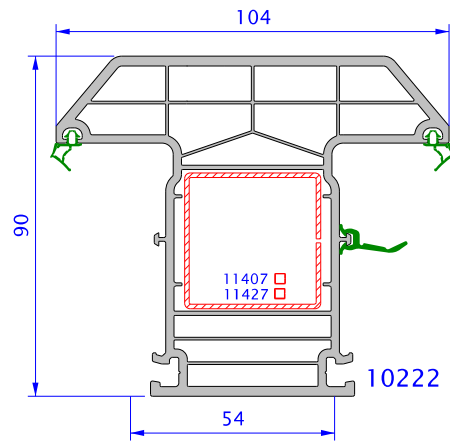
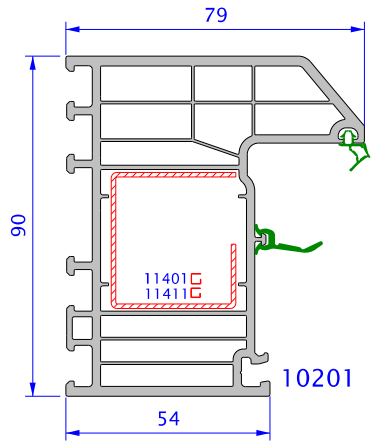
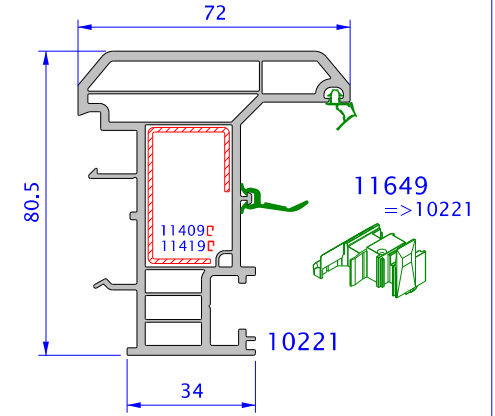
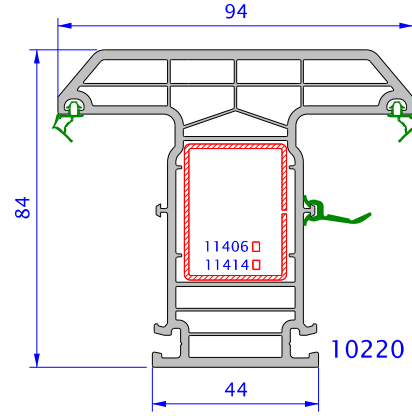
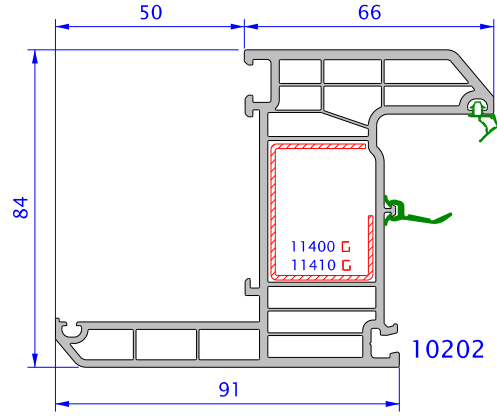
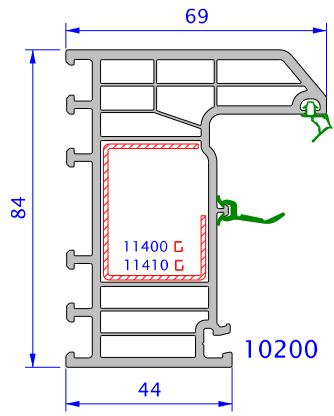
Revotech

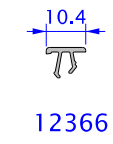
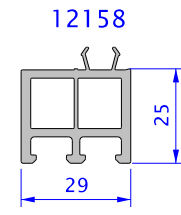
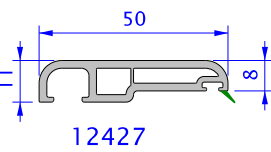
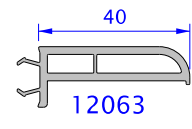
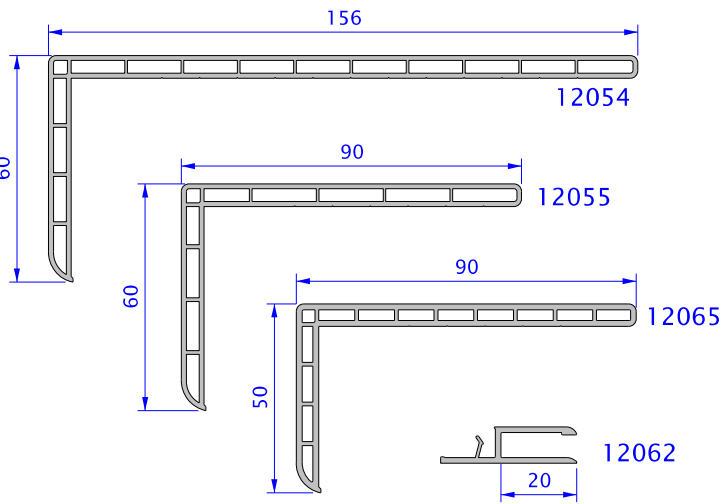
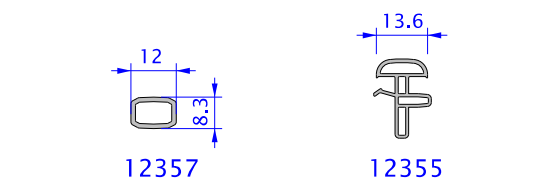
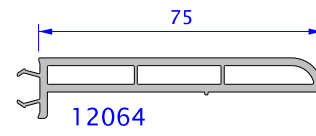
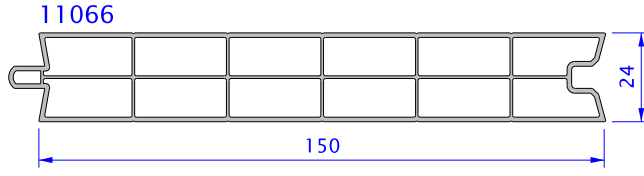
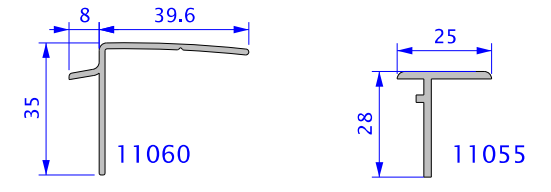
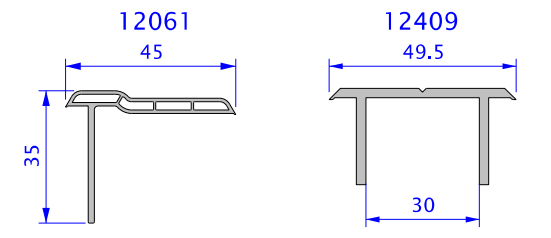
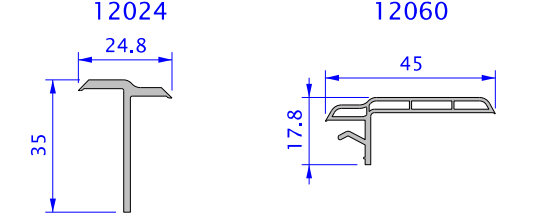
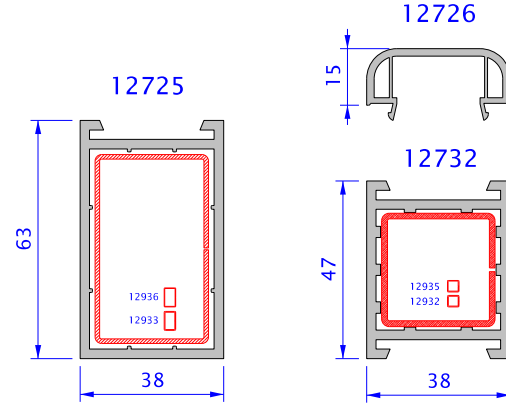
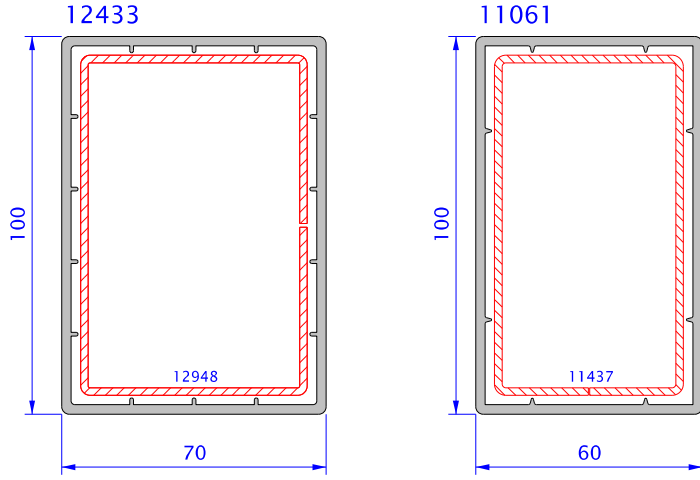
REVOLUTION IN WINDOW TECHNOLOGY

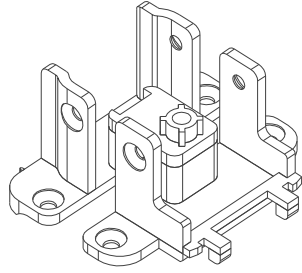
TEKNİK KATALOG

sayfa no

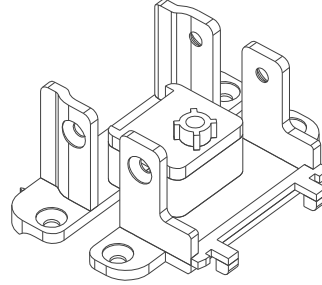
Sistem Tanıtımı	1.1 – 1.3
Ana Profiller	2.1 – 2.12
Yardımcı Profiller & Malzemeler	2.13 – 2.17
Kesitler	3.1 – 3.40



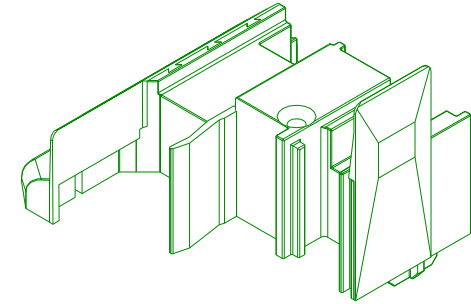




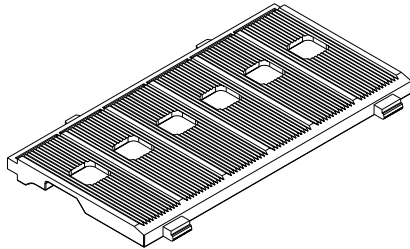
10547
=> 10220



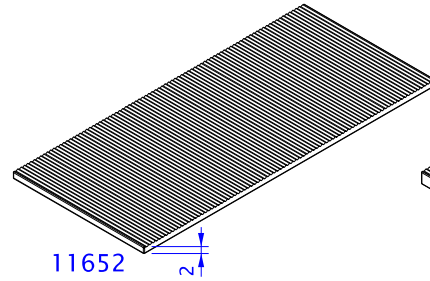
10548
=> 10222/10223



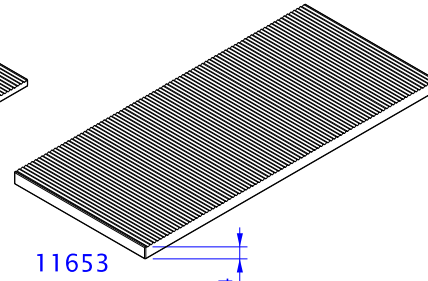
11649
=>10221



11651



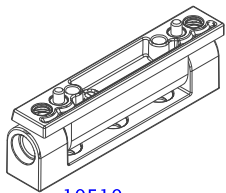
11652



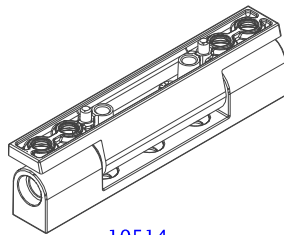
11653



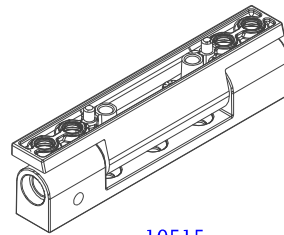
10576



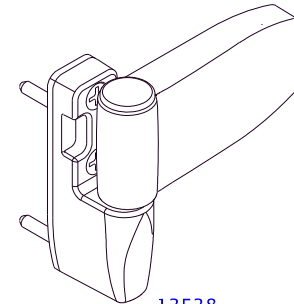
10510



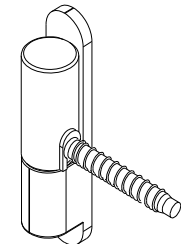
10514



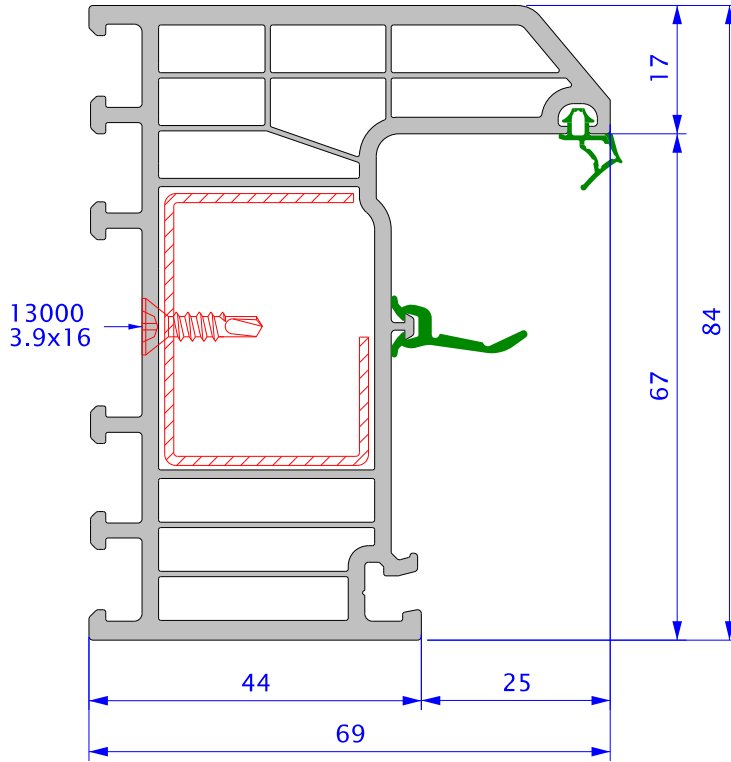
10515



13538

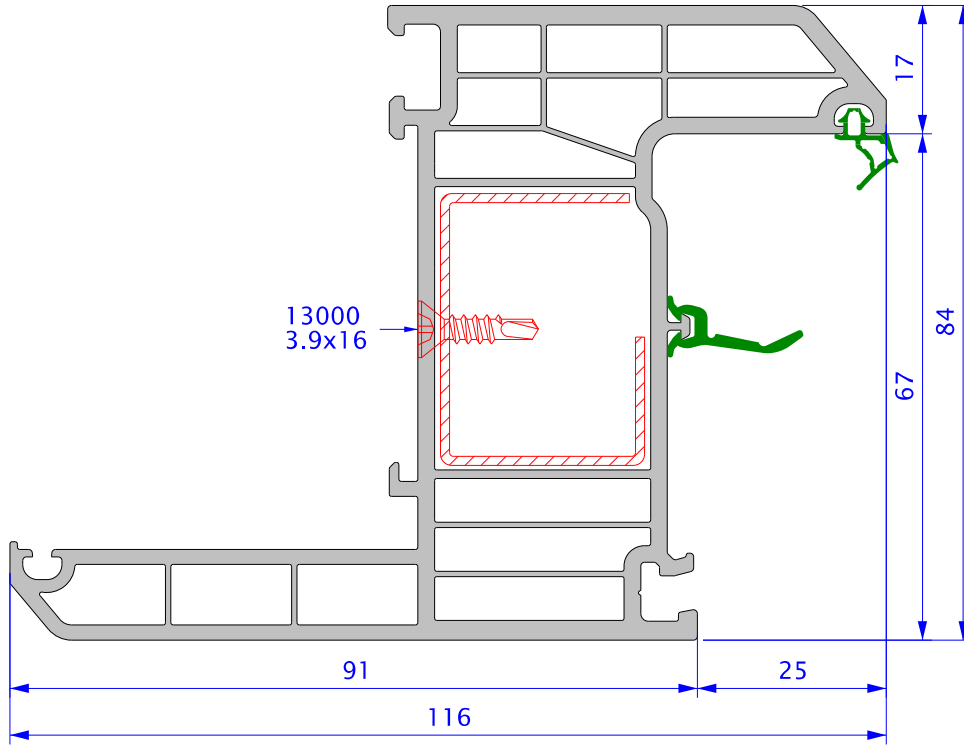


10511

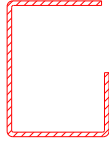
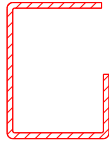


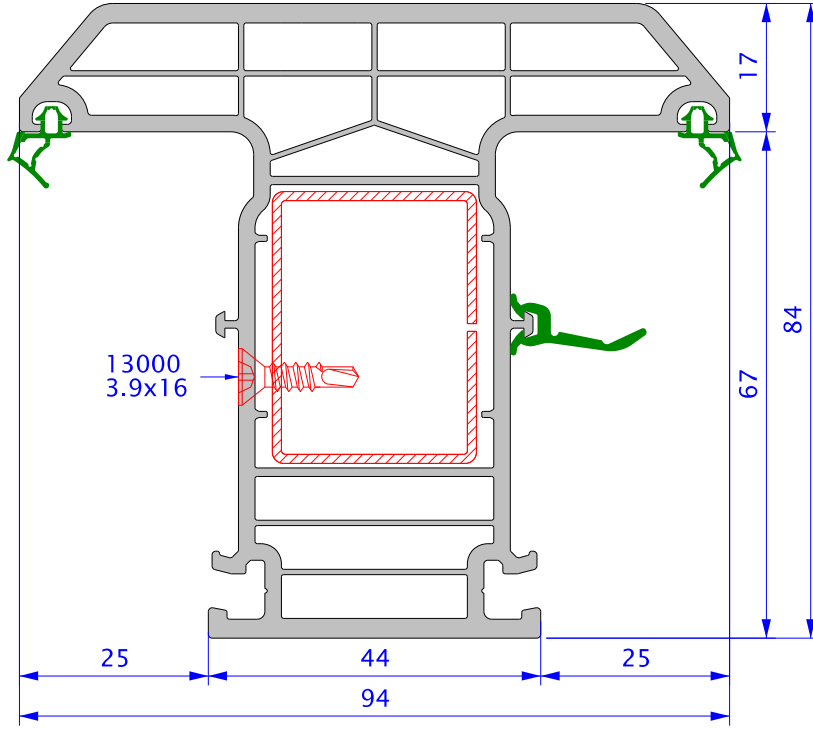
10200	
Ix (cm ⁴)	Iy (cm ⁴)
85.96	33.30

Destek Sacı	s (mm)	Ix (cm ⁴)	Iy (cm ⁴)
11400 25x36x27x17	1.2	2.38	1.24
11410 25x36x27x17	1.5	2.91	1.51

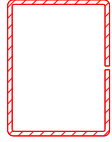
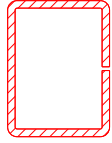


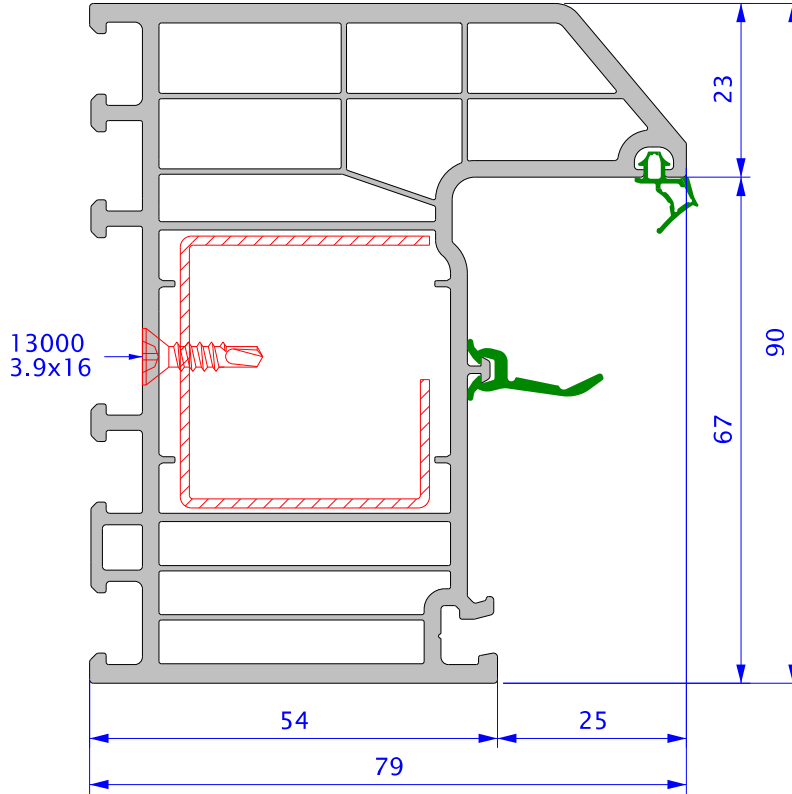
10202	
Ix (cm ⁴)	Iy (cm ⁴)
111.62	81.46

Destek Sacı		s (mm)	Ix (cm ⁴)	Iy (cm ⁴)
11400 25x36x27x17		1.2	2.38	1.24
11410 25x36x27x17		1.5	2.91	1.51



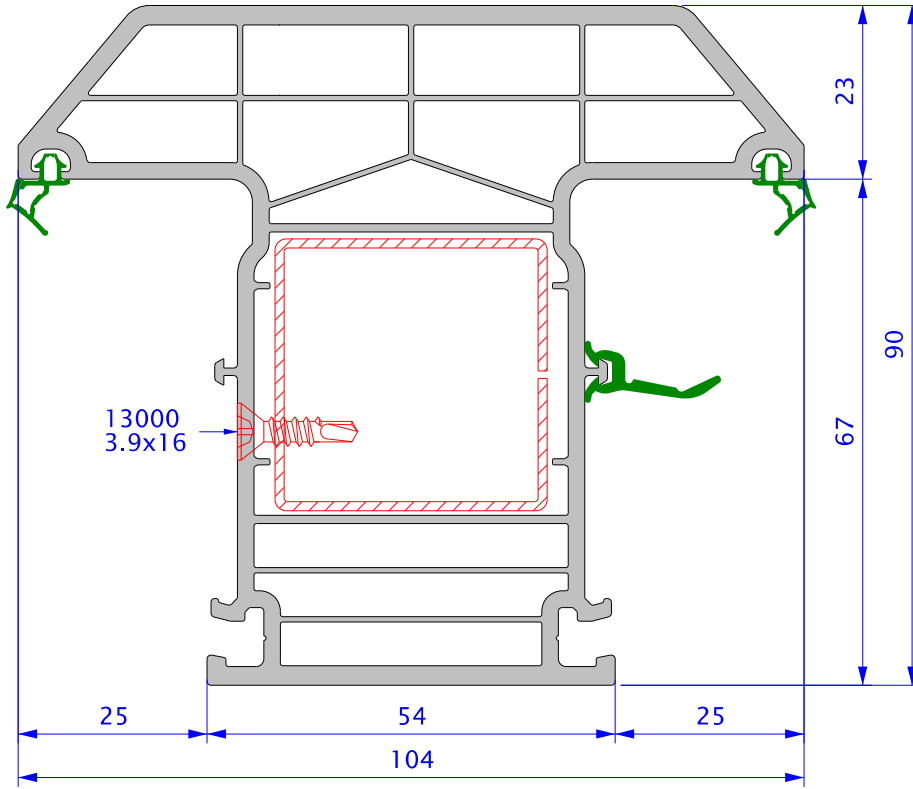
10220	
Ix (cm ⁴)	Iy (cm ⁴)
95.40	54.22

Destek Sacı		s (mm)	Ix (cm ⁴)	Iy (cm ⁴)
11406 27x36x1.2		1.2	2.66	1.68
11414 27x36x2		2	4.06	2.54

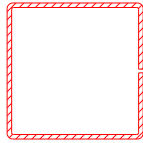
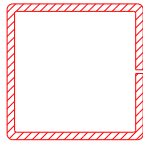


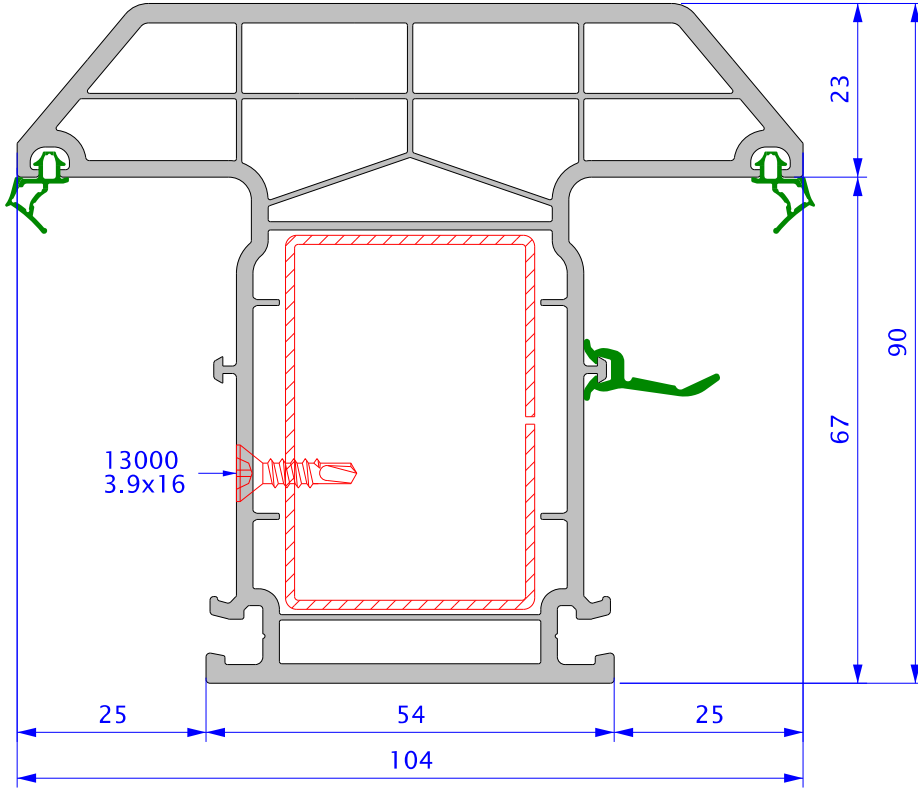
10201	
Ix (cm ⁴)	Iy (cm ⁴)
112.43	54.60

Destek Sacı		s (mm)	Ix (cm ⁴)	Iy (cm ⁴)
11401 17x33x36		1.2	2.91	2.10
11411 17x33x36		1.5	3.56	2.57



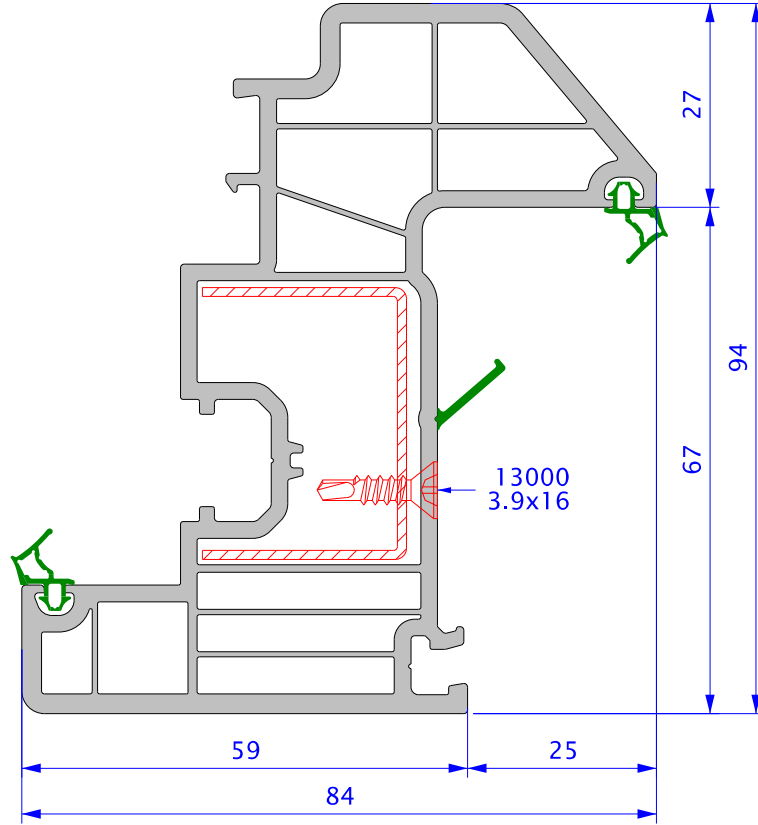
10222	
Ix (cm ⁴)	Iy (cm ⁴)
120.54	79.70

Destek Sacı		s (mm)	Ix (cm ⁴)	Iy (cm ⁴)
11407 36x36		1.2	3.32	3.28
11427 36x36		2	5.20	5.14



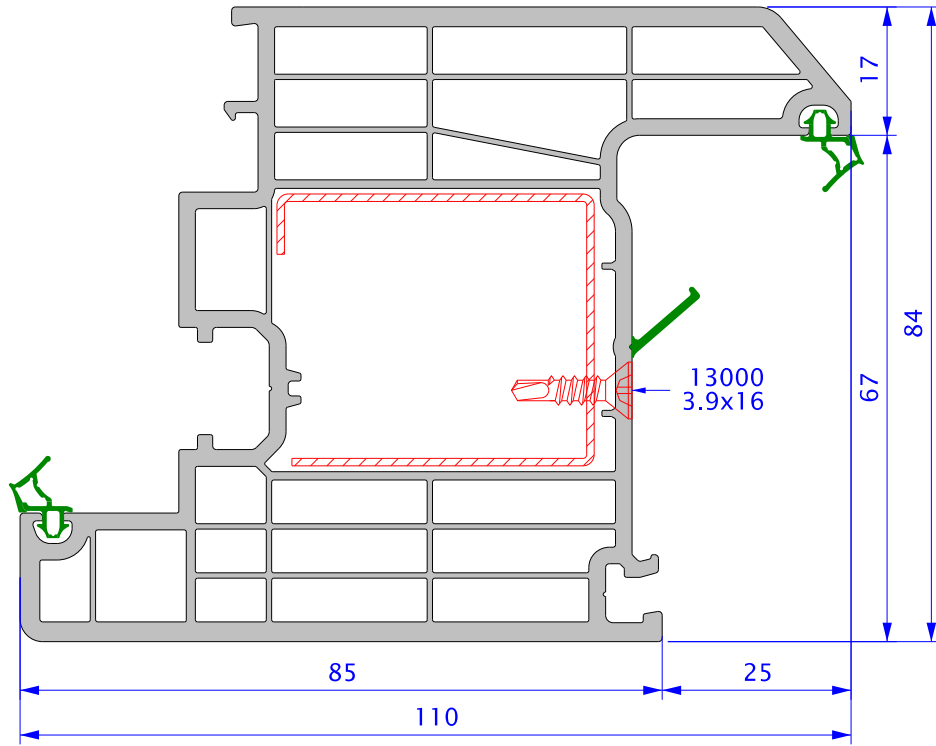
10223	
Ix (cm ⁴)	Iy (cm ⁴)
112.83	78.76

Destek Sacı		s (mm)	Ix (cm ⁴)	Iy (cm ⁴)
11408 33x49.5		1.2	6.60	3.50
11418 33x49.5		2	10.48	5.48


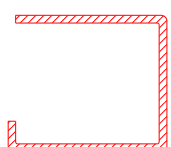


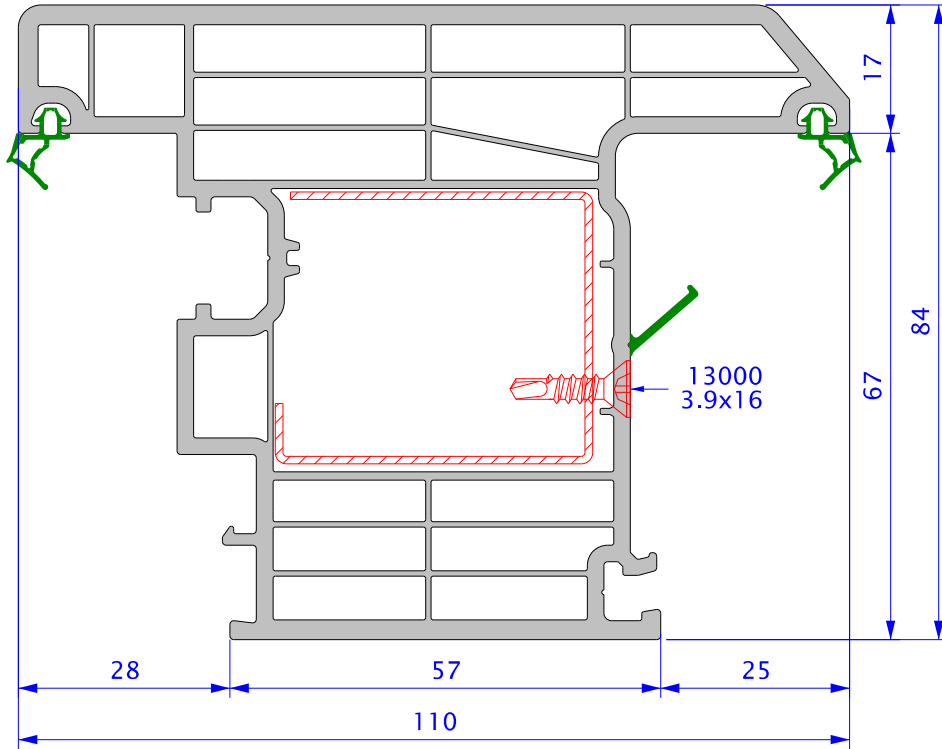
10211	
Ix (cm ⁴)	Iy (cm ⁴)
106.44	42.40

Destek Sacı		s (mm)	Ix (cm ⁴)	Iy (cm ⁴)
11402 27x36		1.2	2.31	0.80
11412 27x36		1.5	2.83	0.98
11413 27x36		2	3.64	1.28


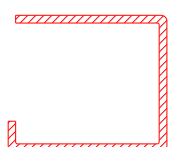


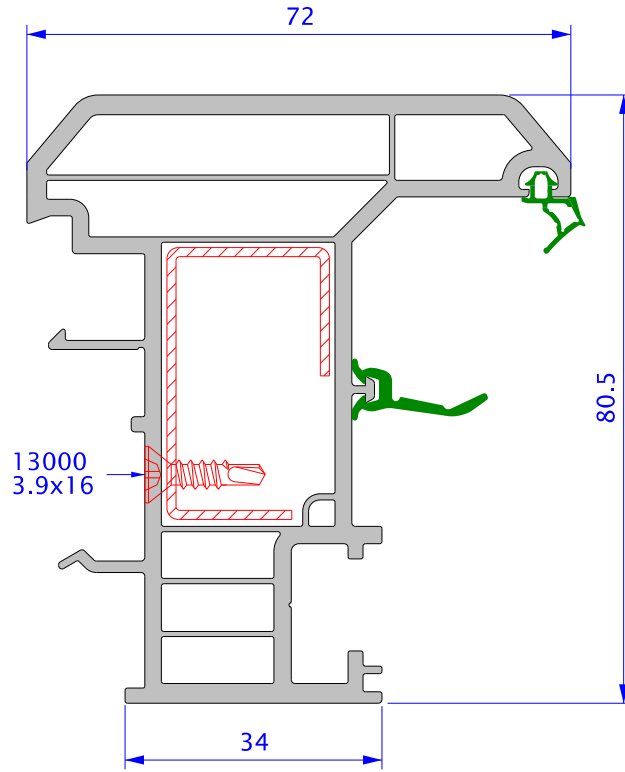
10212	
Ix (cm ⁴)	Iy (cm ⁴)
124.7	105.9

Destek Sacı		s (mm)	Ix (cm ⁴)	Iy (cm ⁴)
11405 8x40x36		1.2	3.45	3.01
11415 8x40x36		2	5.43	4.78



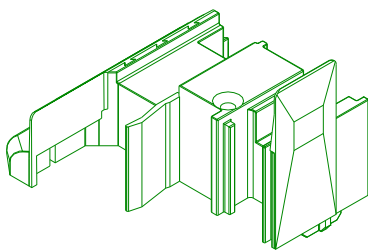
10213	
Ix (cm ⁴)	Iy (cm ⁴)
116.86	105.36

Destek Sacı		s (mm)	Ix (cm ⁴)	Iy (cm ⁴)
11405 8x40x36		1.2	3.45	3.01
11415 8x40x36		2	5.43	4.78



10221	
Ix (cm ⁴)	Iy (cm ⁴)
66.78	21.20

Kanat Adaptör Kapak



11649
=>10221

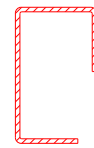
Destek Sacı

s
(mm)

Ix
(cm⁴)

Iy
(cm⁴)

11409
17x21.5x36x16

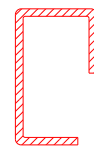


1.2

1.84

0.68

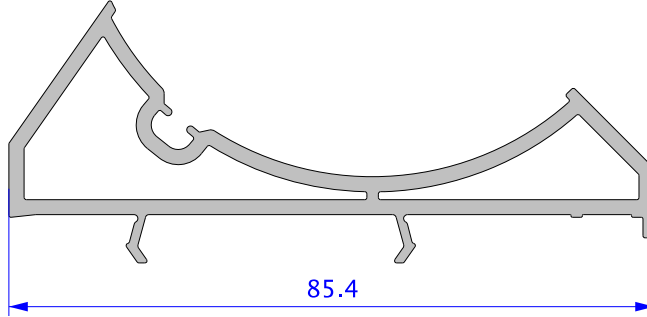
11419
17x21.5x36x16



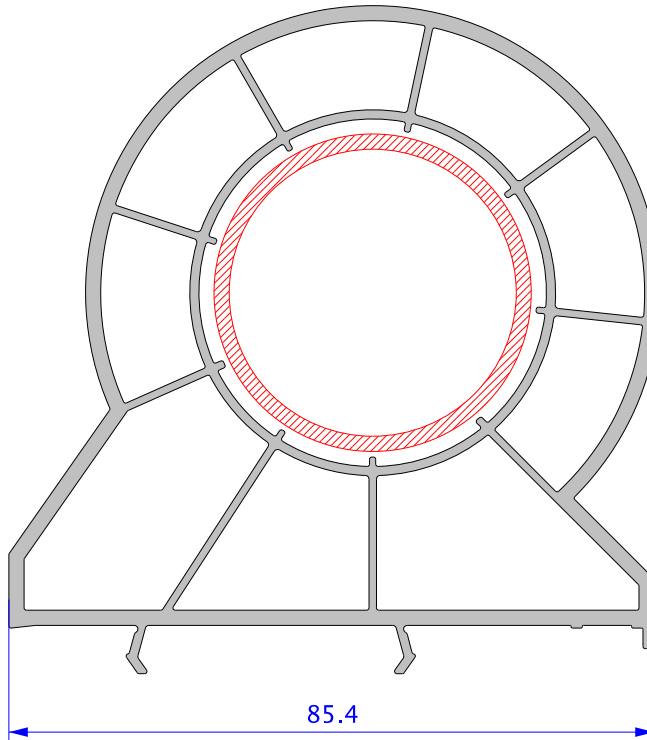
2

2.87

1.04

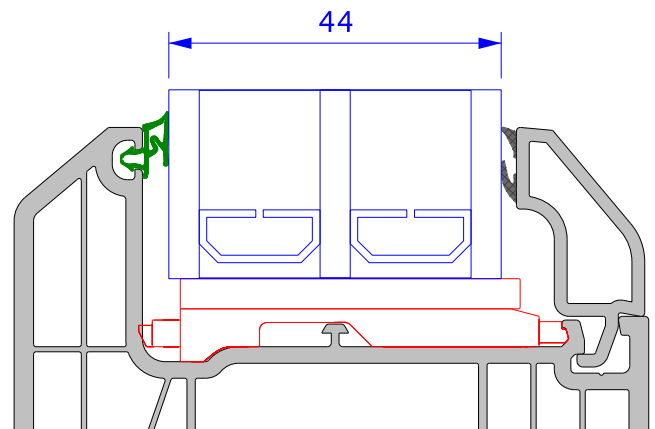
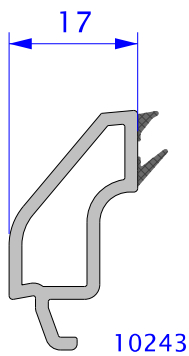
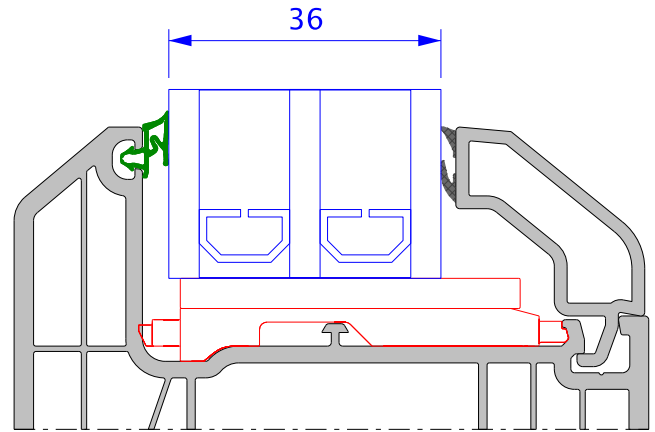
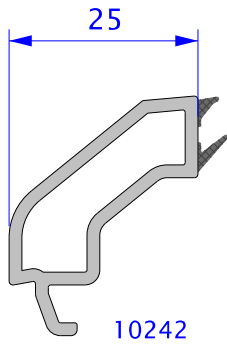
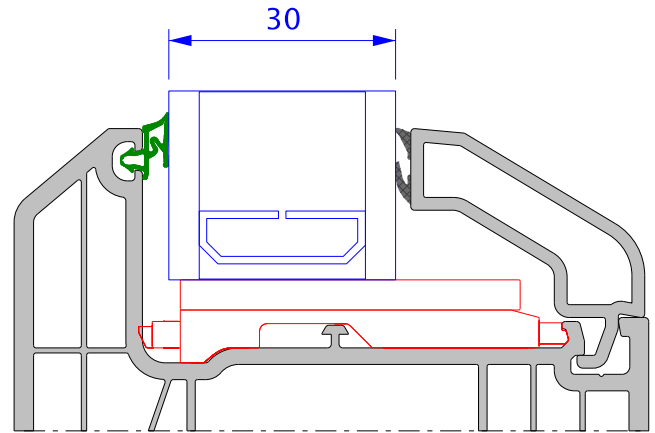
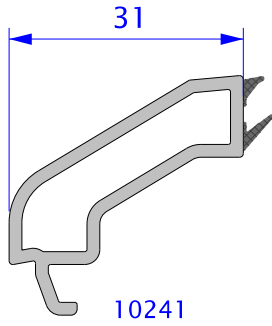
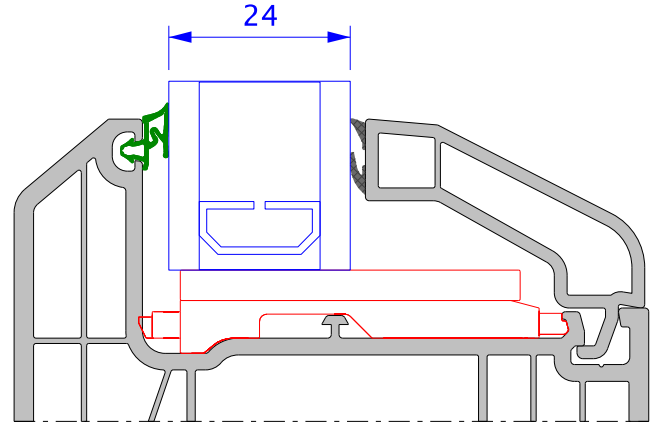
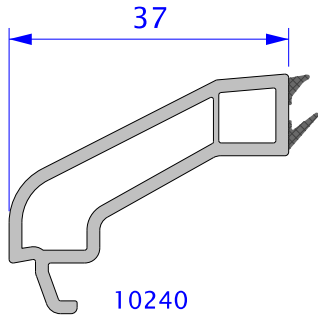


11036	
Ix (cm ⁴)	Iy (cm ⁴)
2.14	31.09

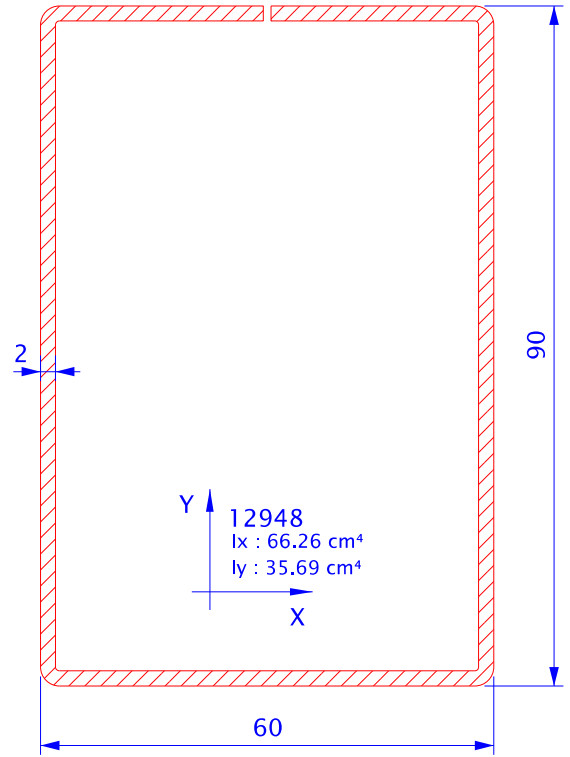
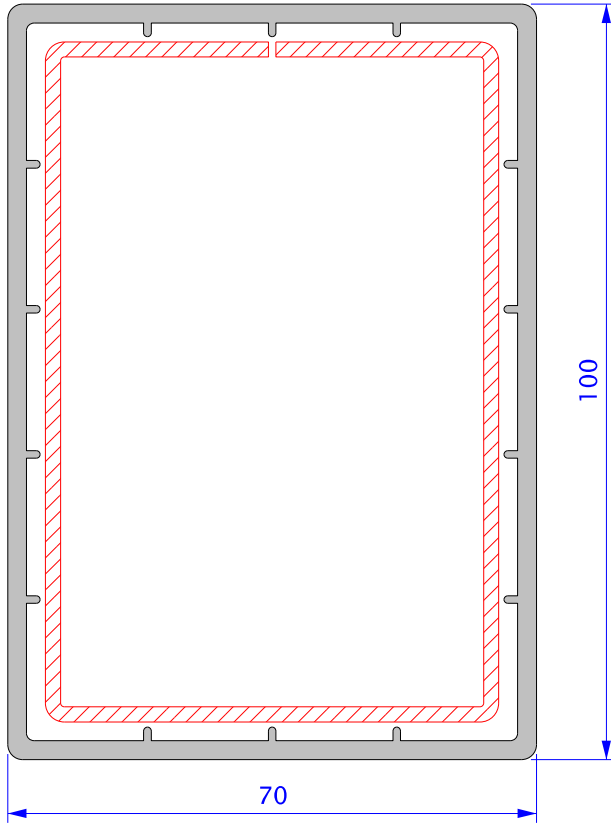


11037	
Ix (cm ⁴)	Iy (cm ⁴)
70.43	64.61

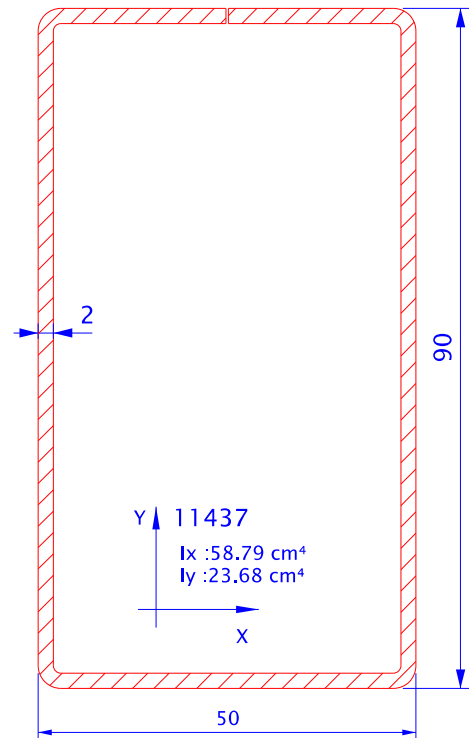
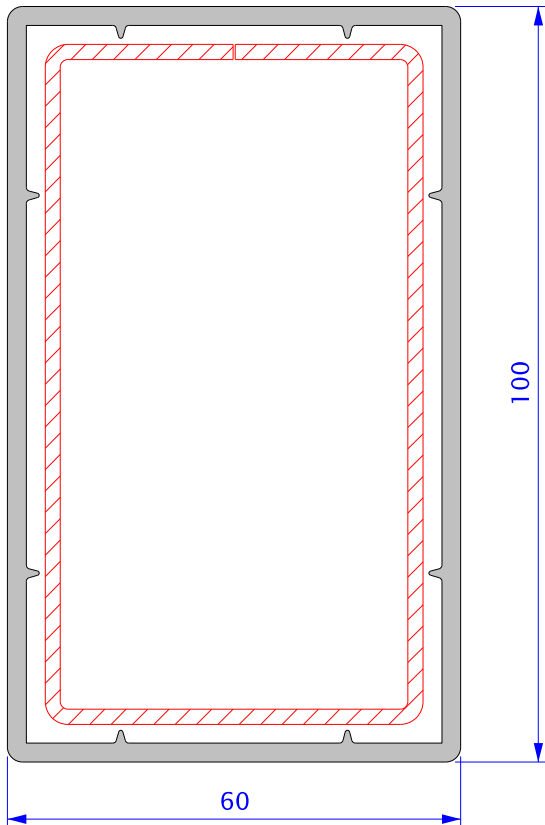
Destek Sacı		s (mm)	Ix (cm ⁴)	Iy (cm ⁴)
12938 Ø 42		2	5.04	5.04



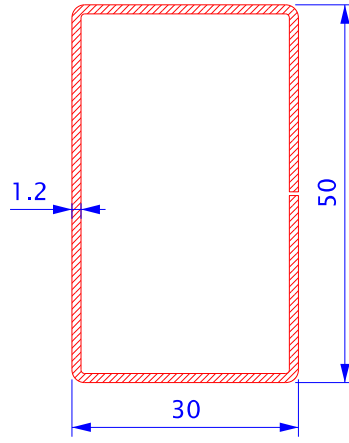
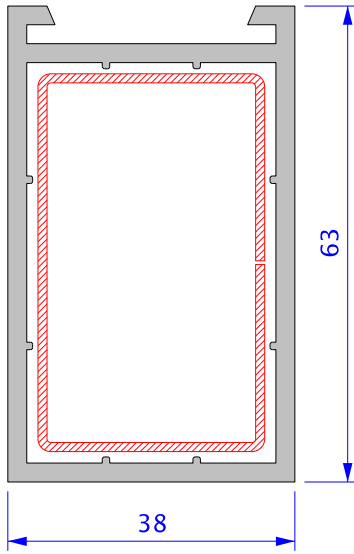
12433



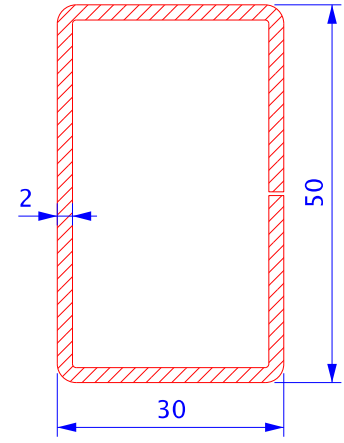
11061



12725

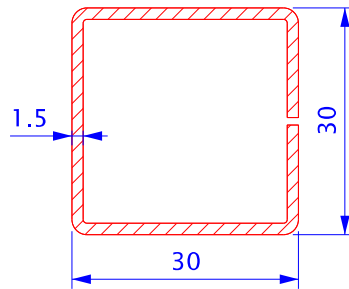
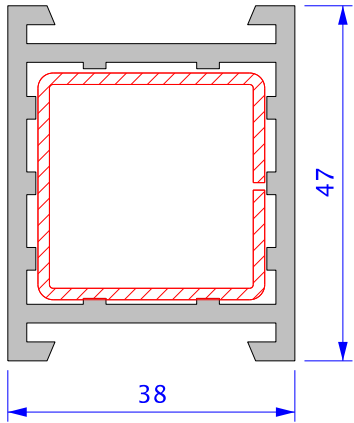


Y
12936
Ix : 6.30 cm⁴
ly : 2.84 cm⁴
X

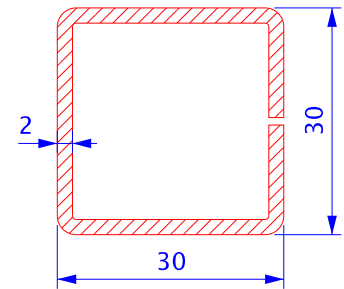


Y
12933
Ix : 9.85 cm⁴
ly : 4.38 cm⁴
X

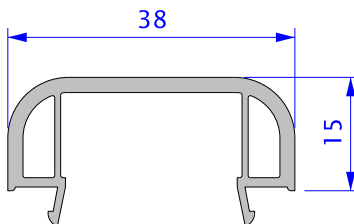
12732



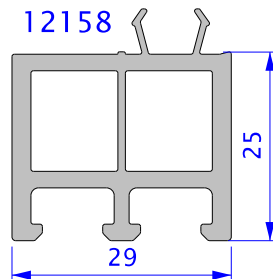
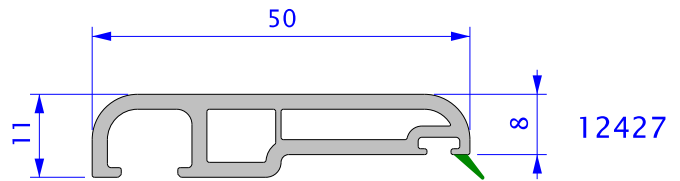
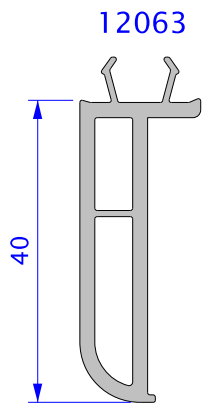
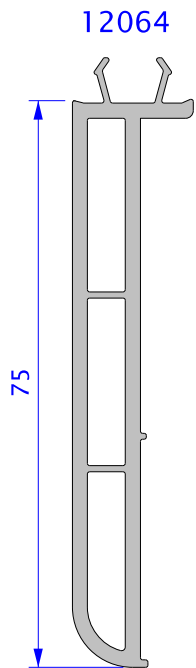
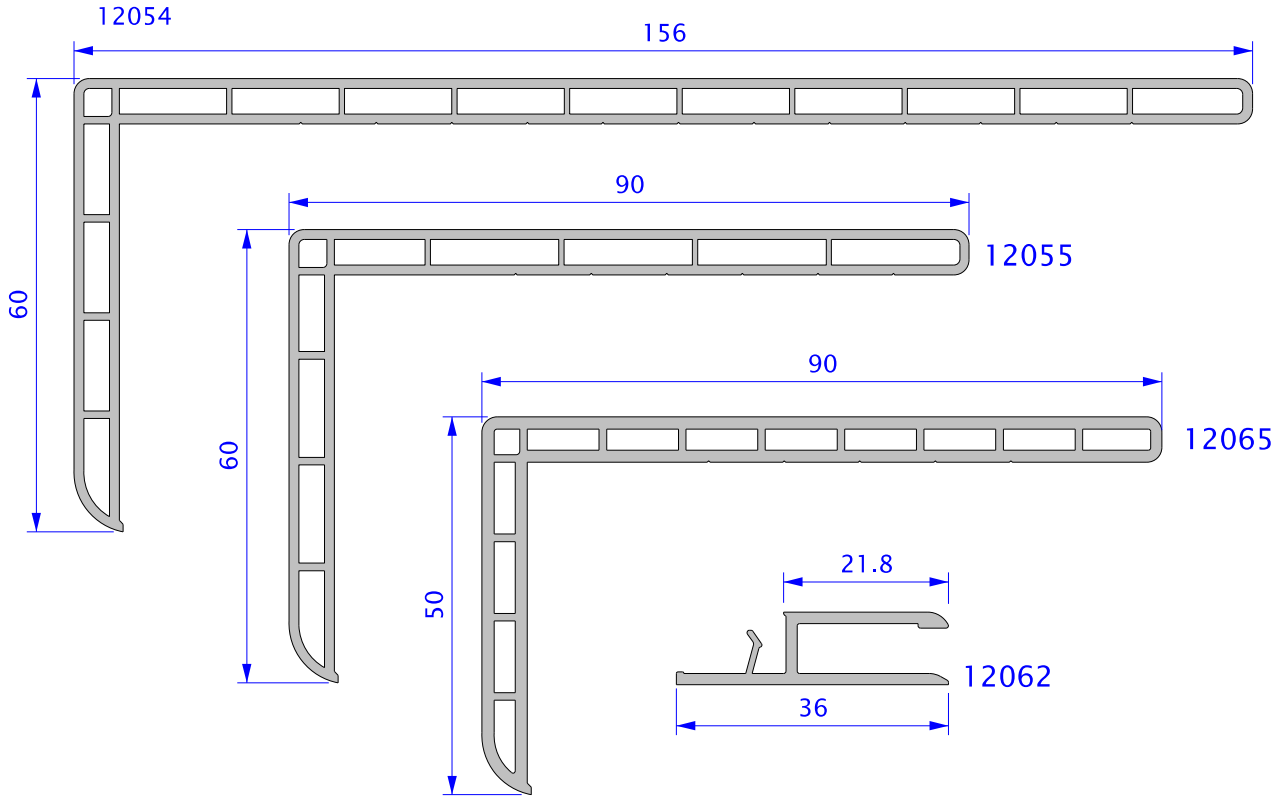
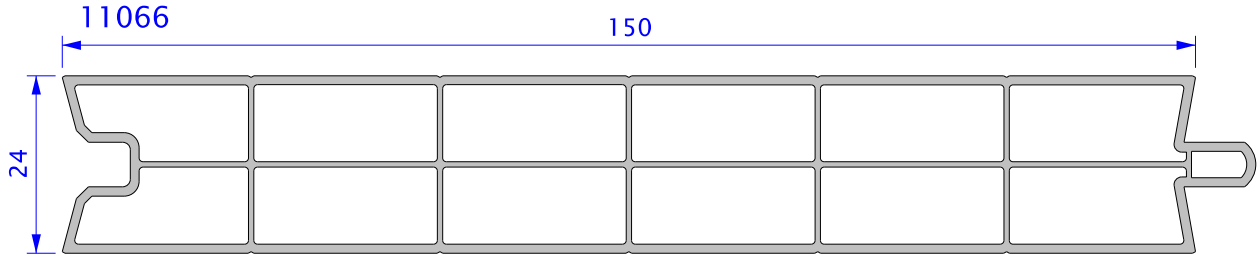
Y
12935
Ix : 2.25 cm⁴
ly : 2.22 cm⁴
X

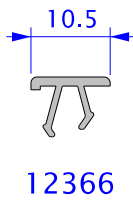
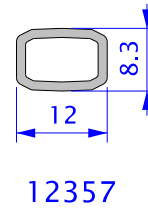
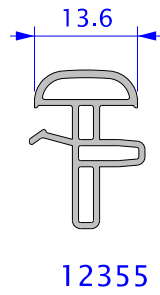
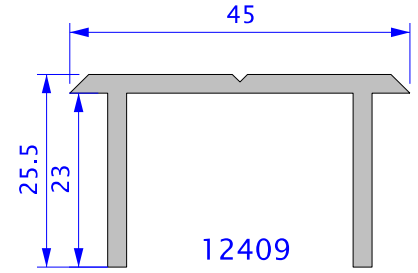
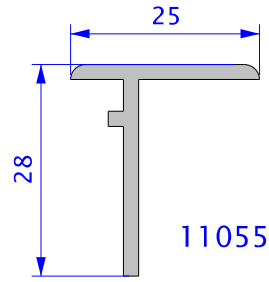
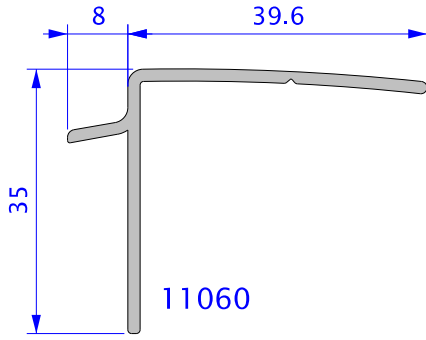
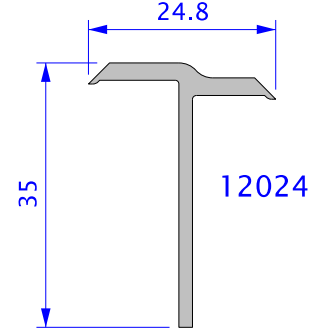
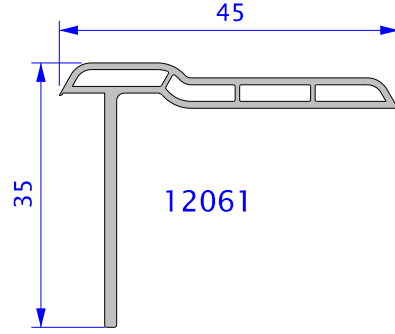
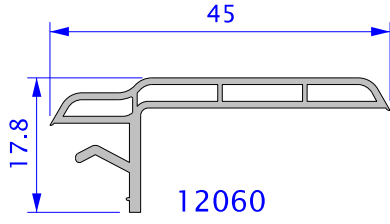


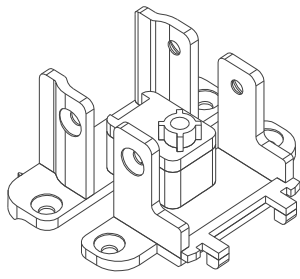
Y
12932
Ix : 2.83 cm⁴
ly : 2.79 cm⁴
X



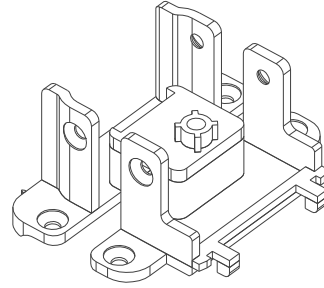
12726



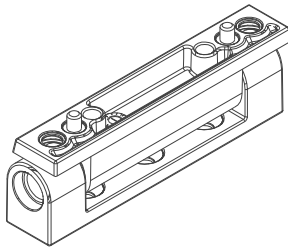




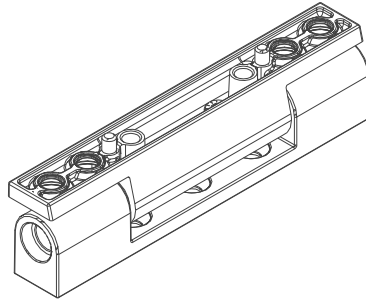
10547
=> 10220



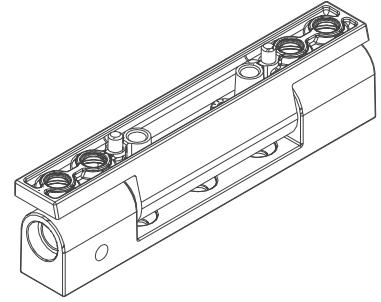
10548
=> 10222/10223



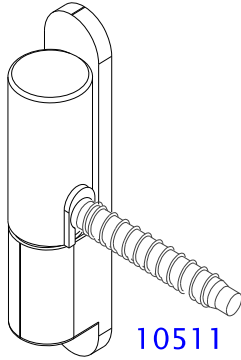
10510



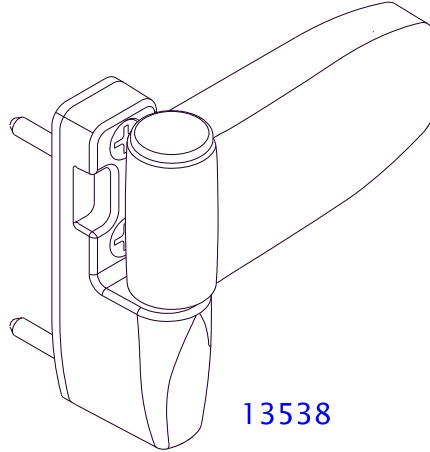
10514



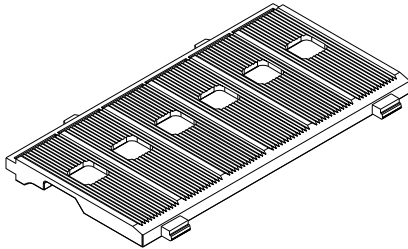
10515



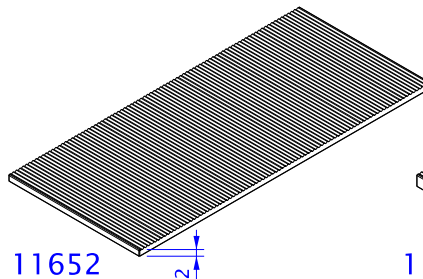
10511



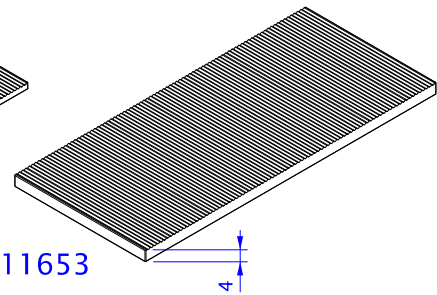
13538



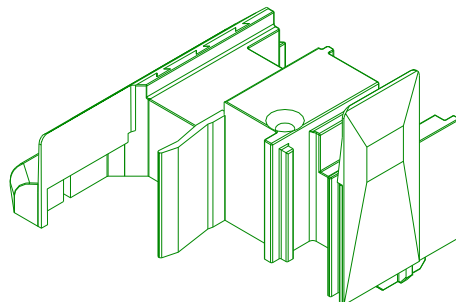
11651



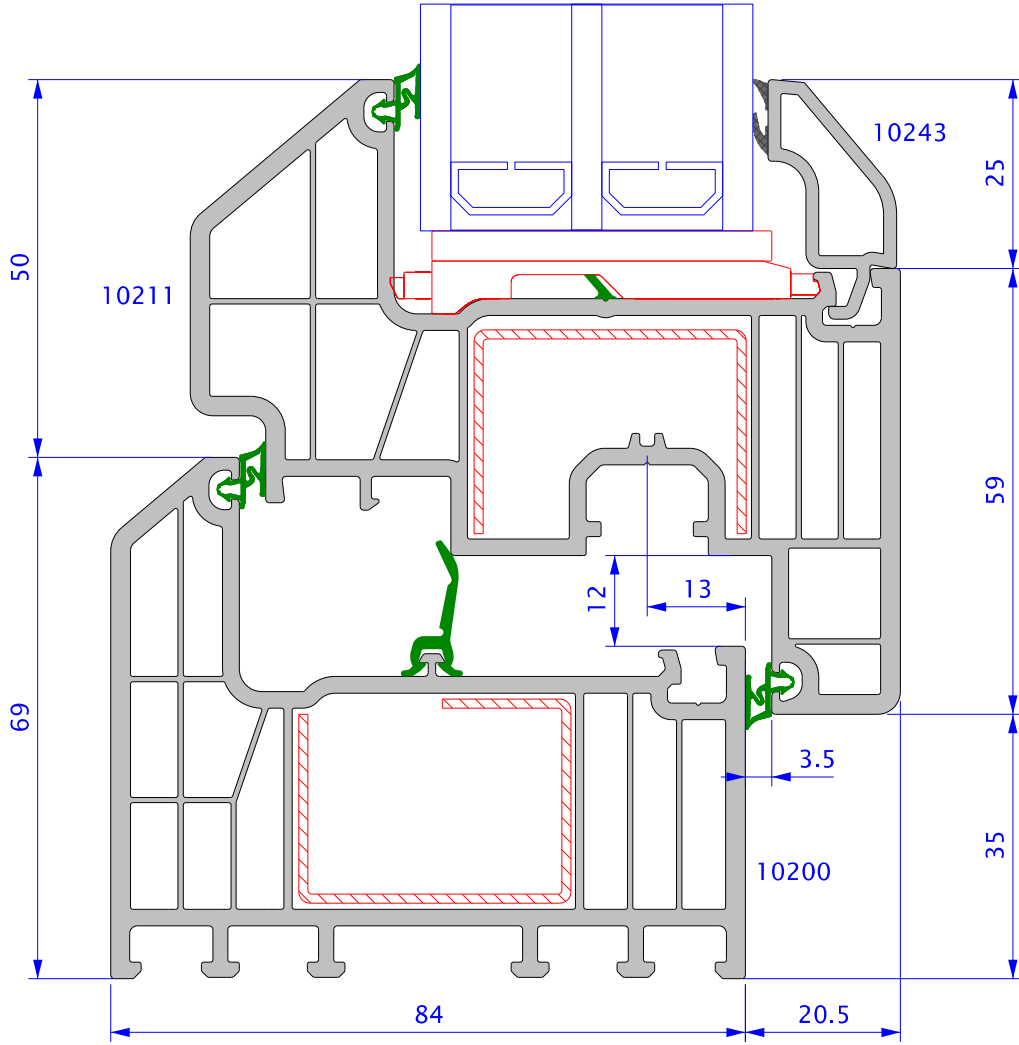
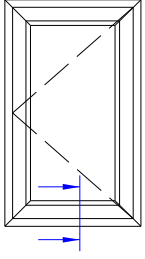
11652

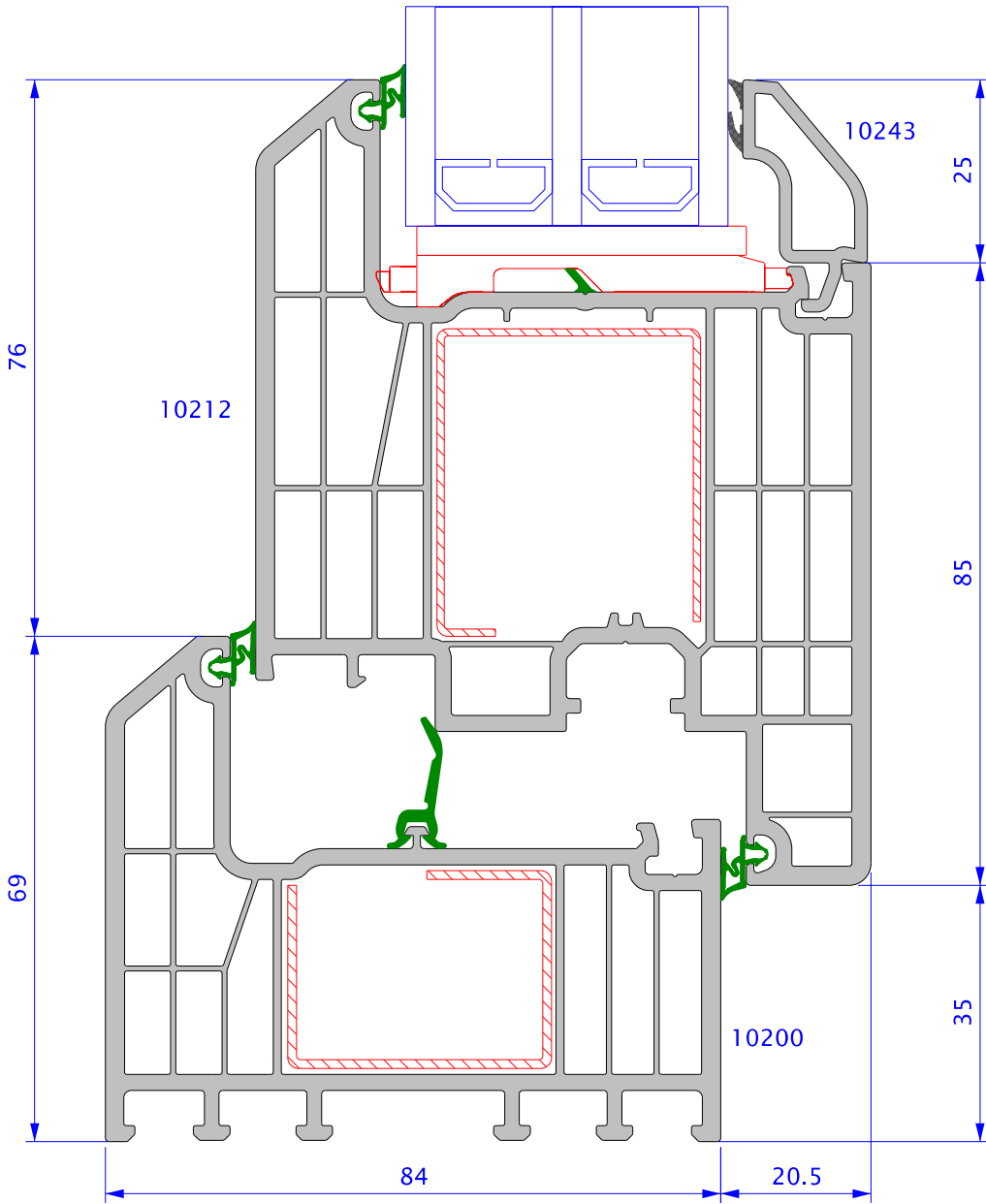
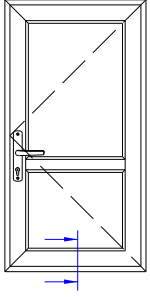


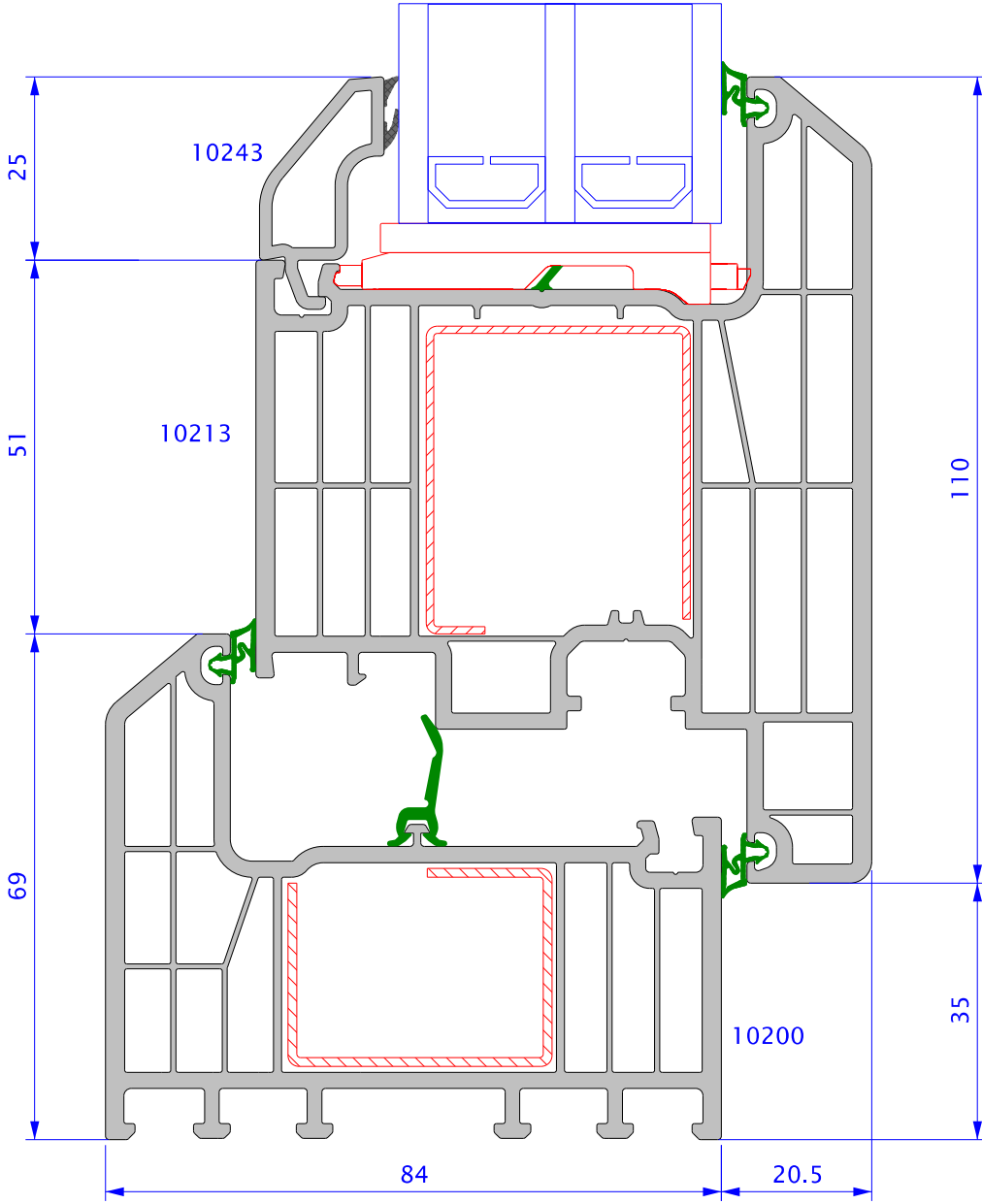
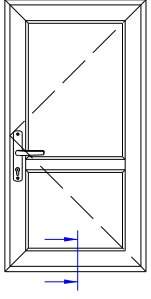
11653

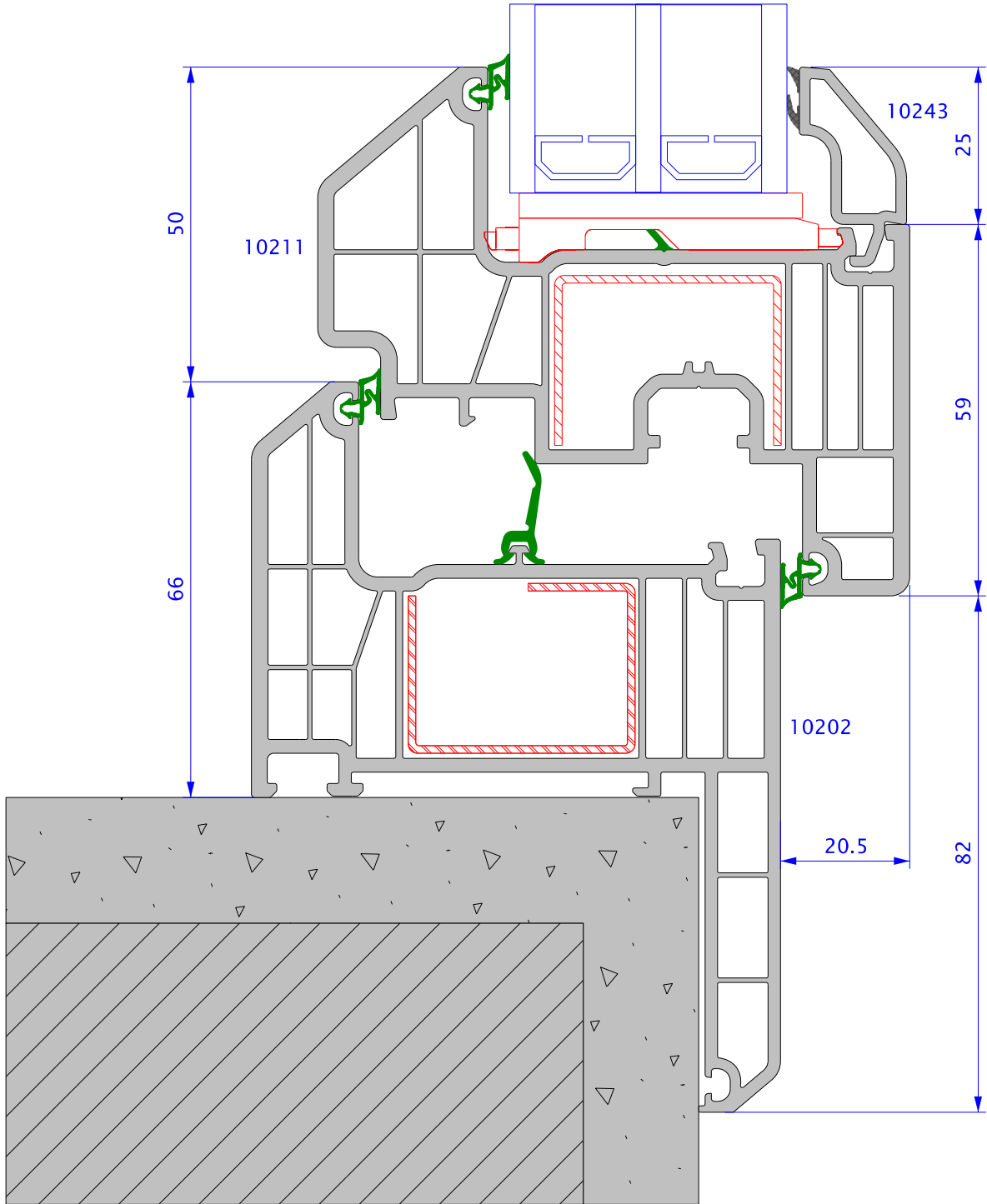
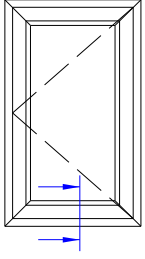


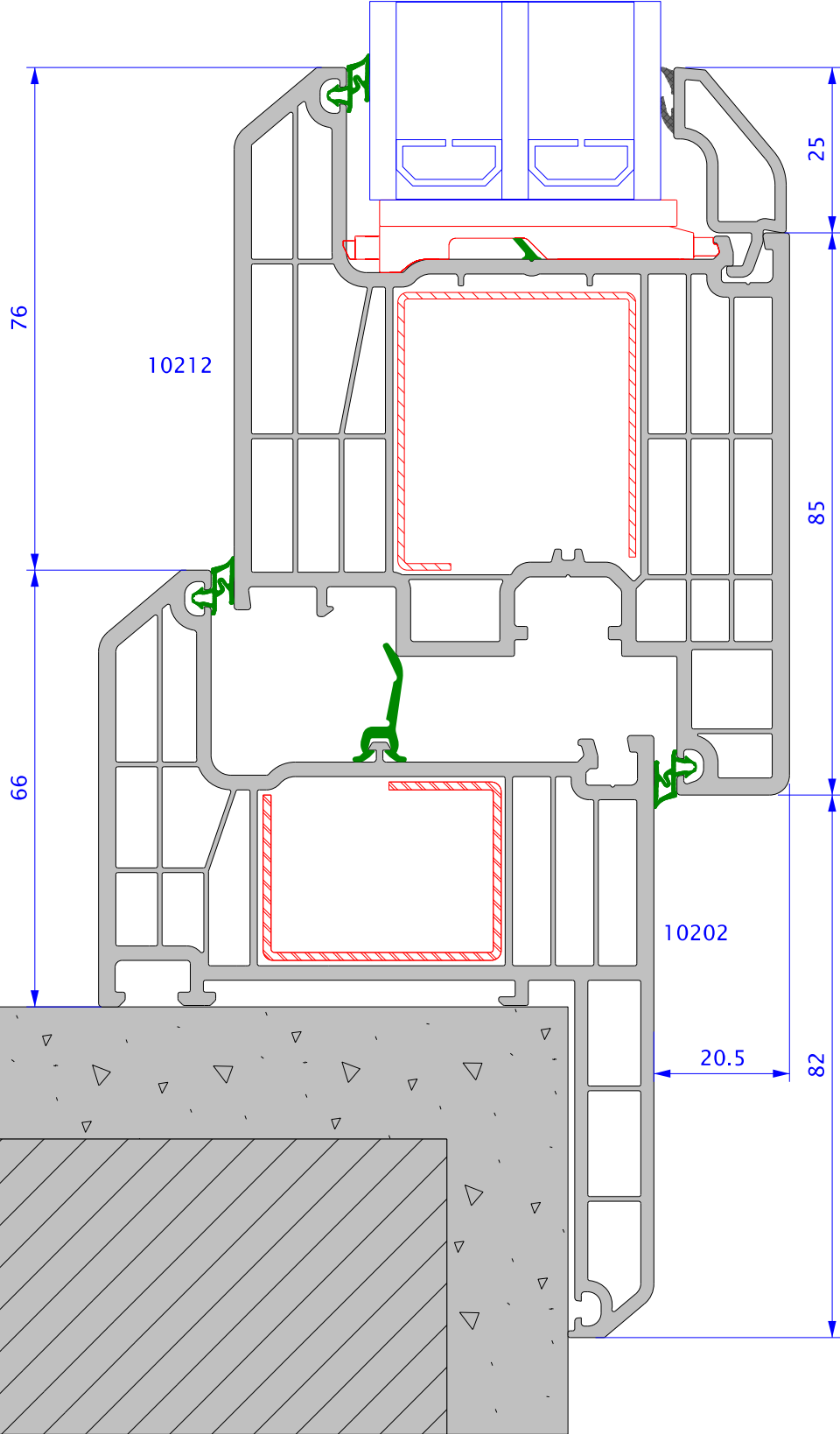
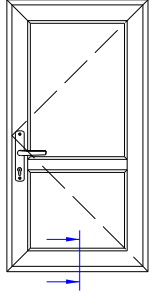
11649
=>10221

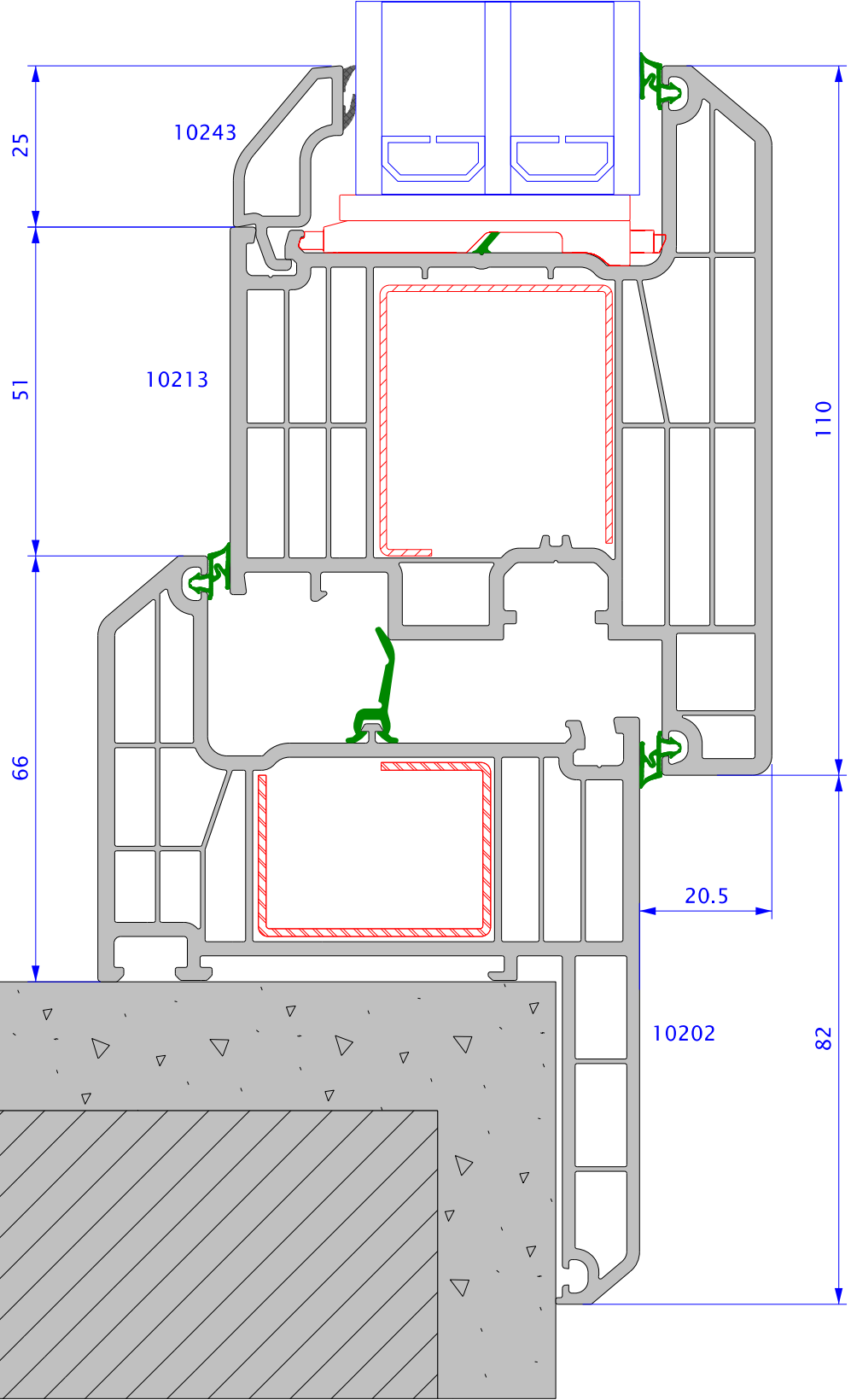
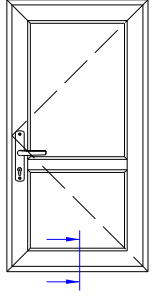


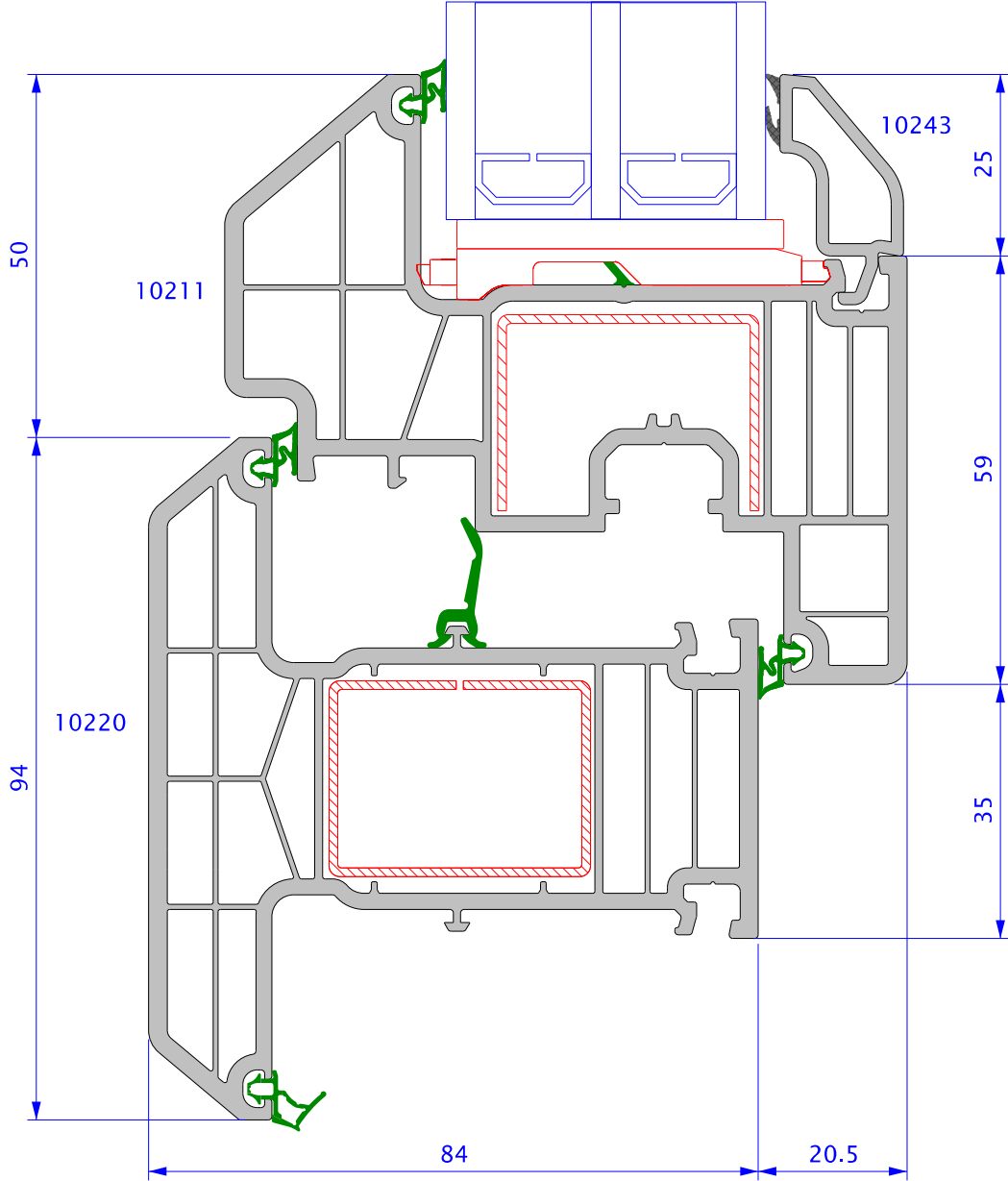
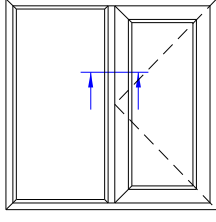


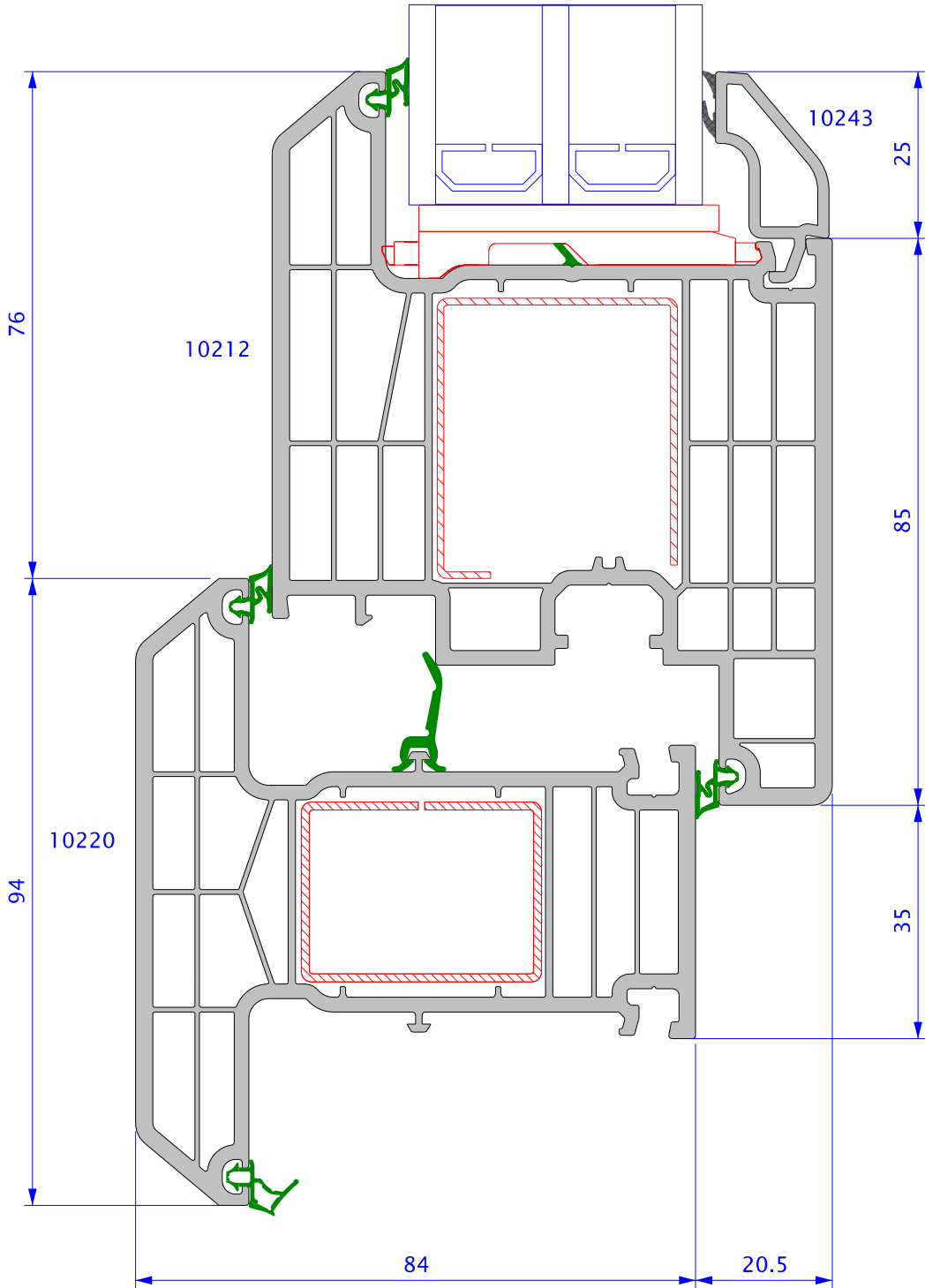
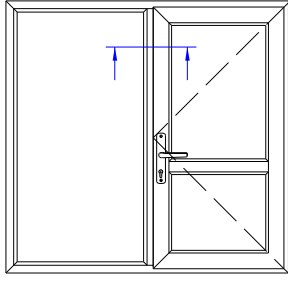


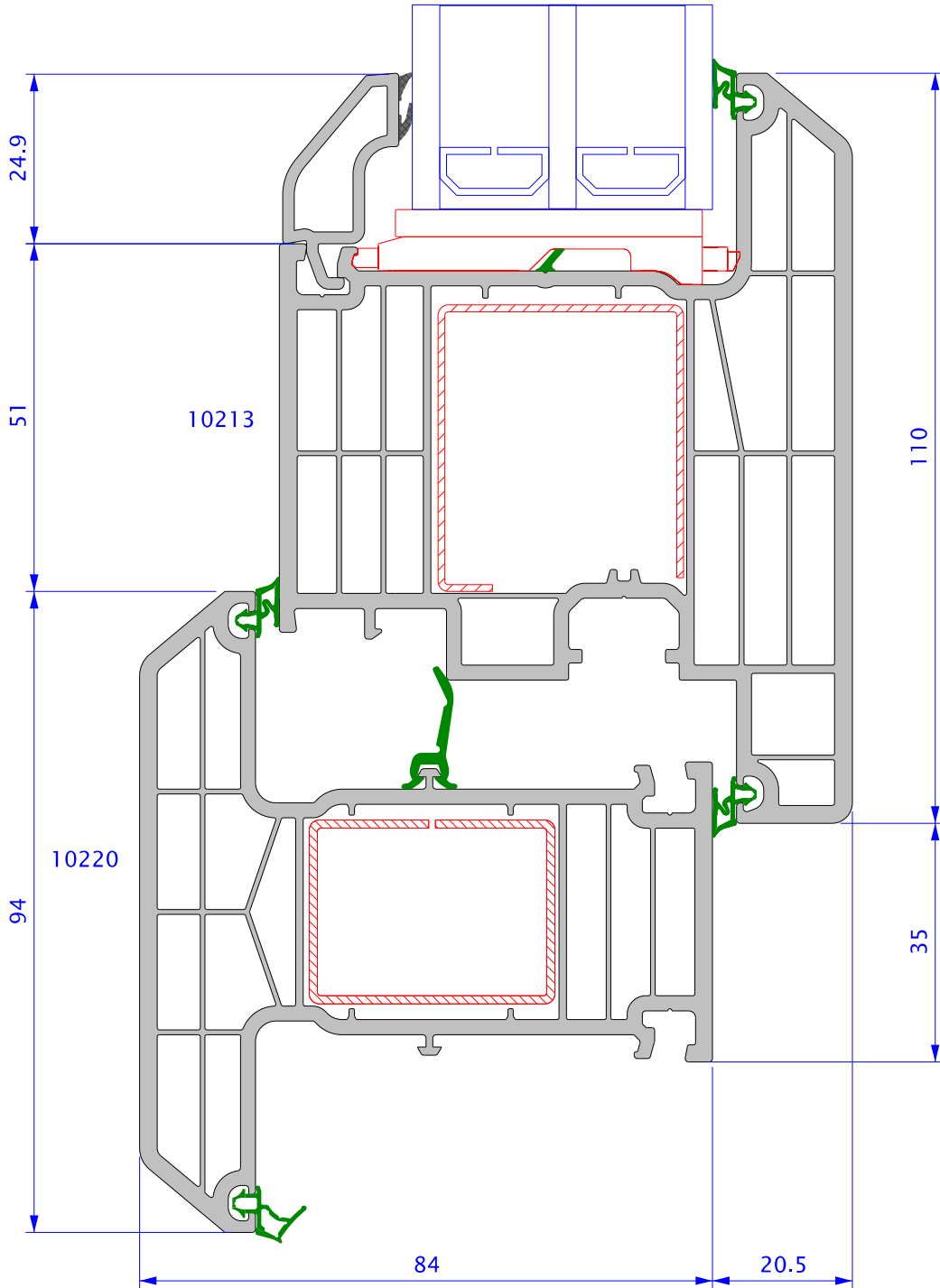
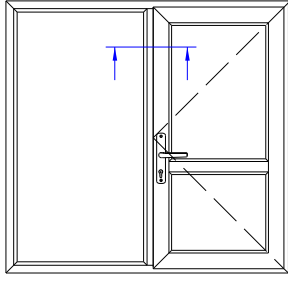


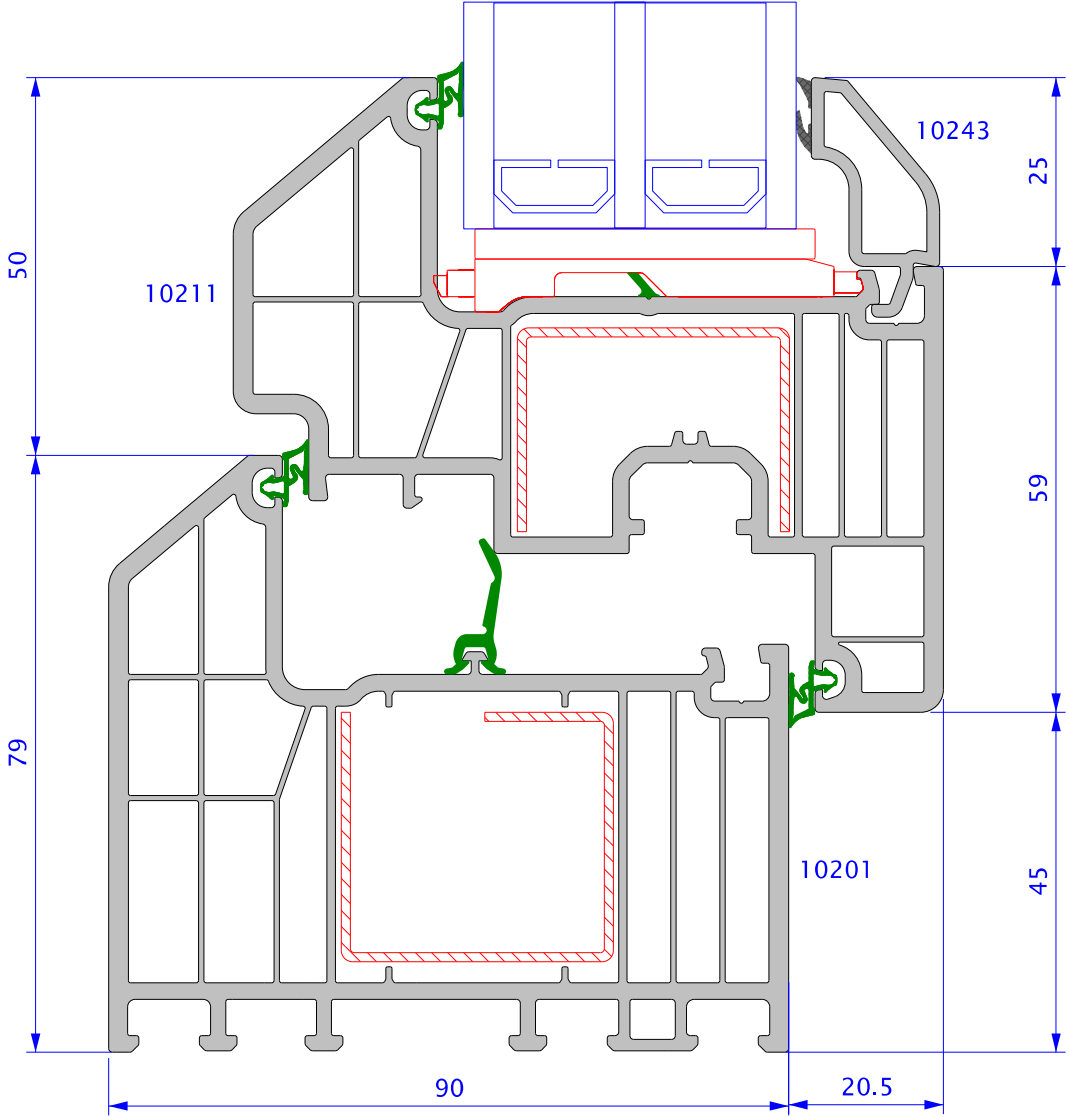
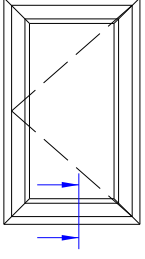


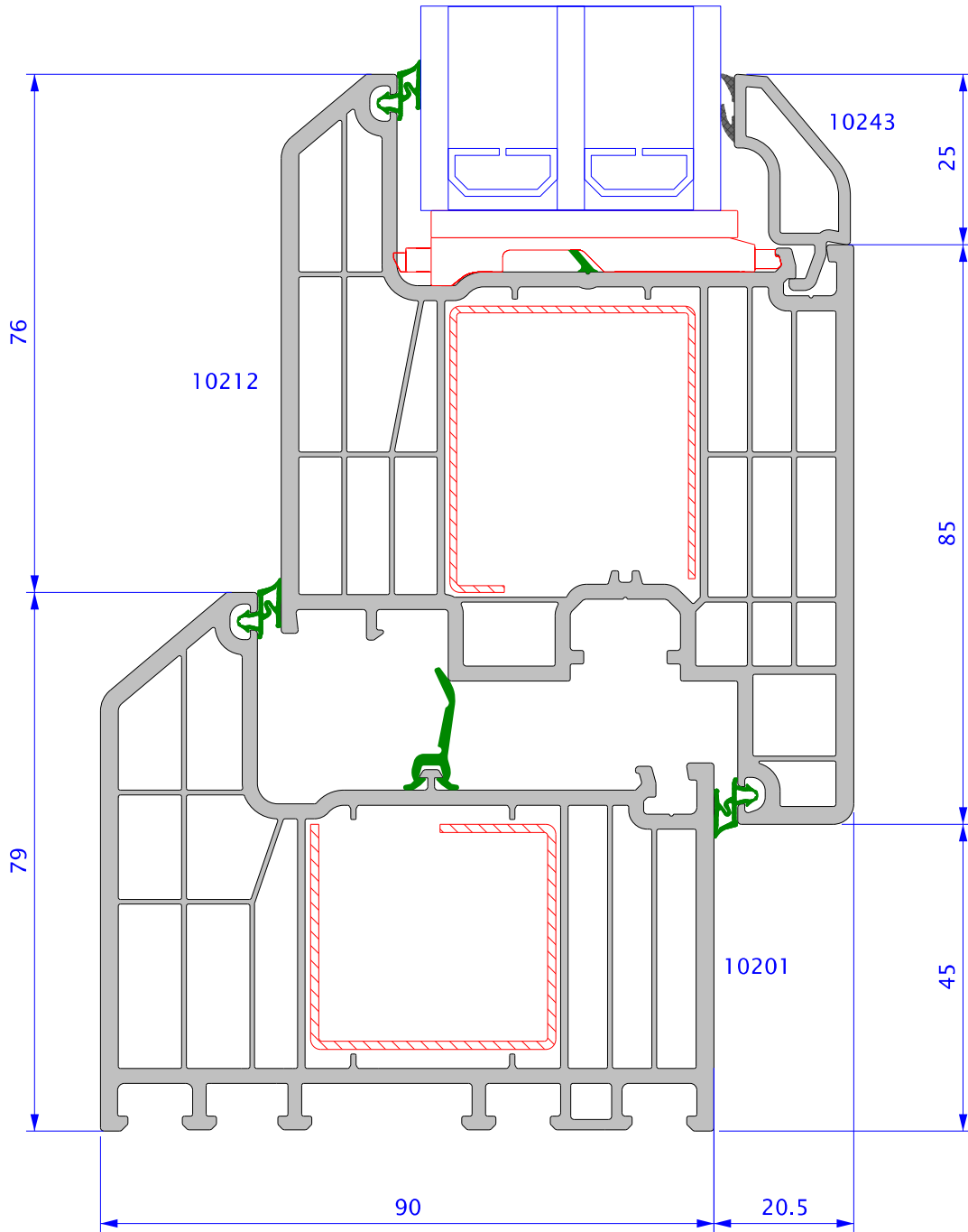
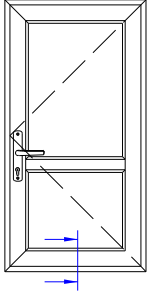


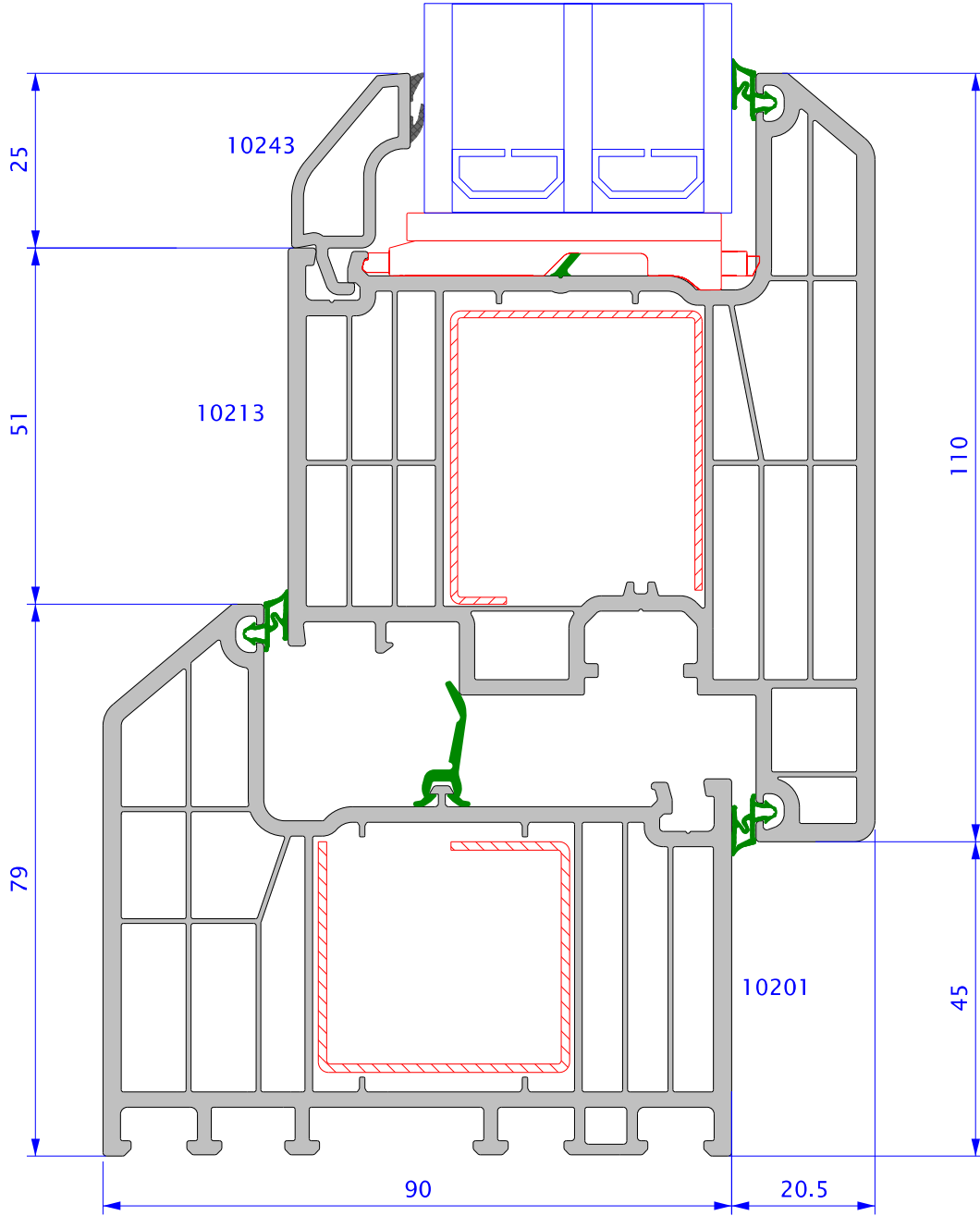
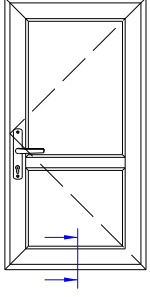


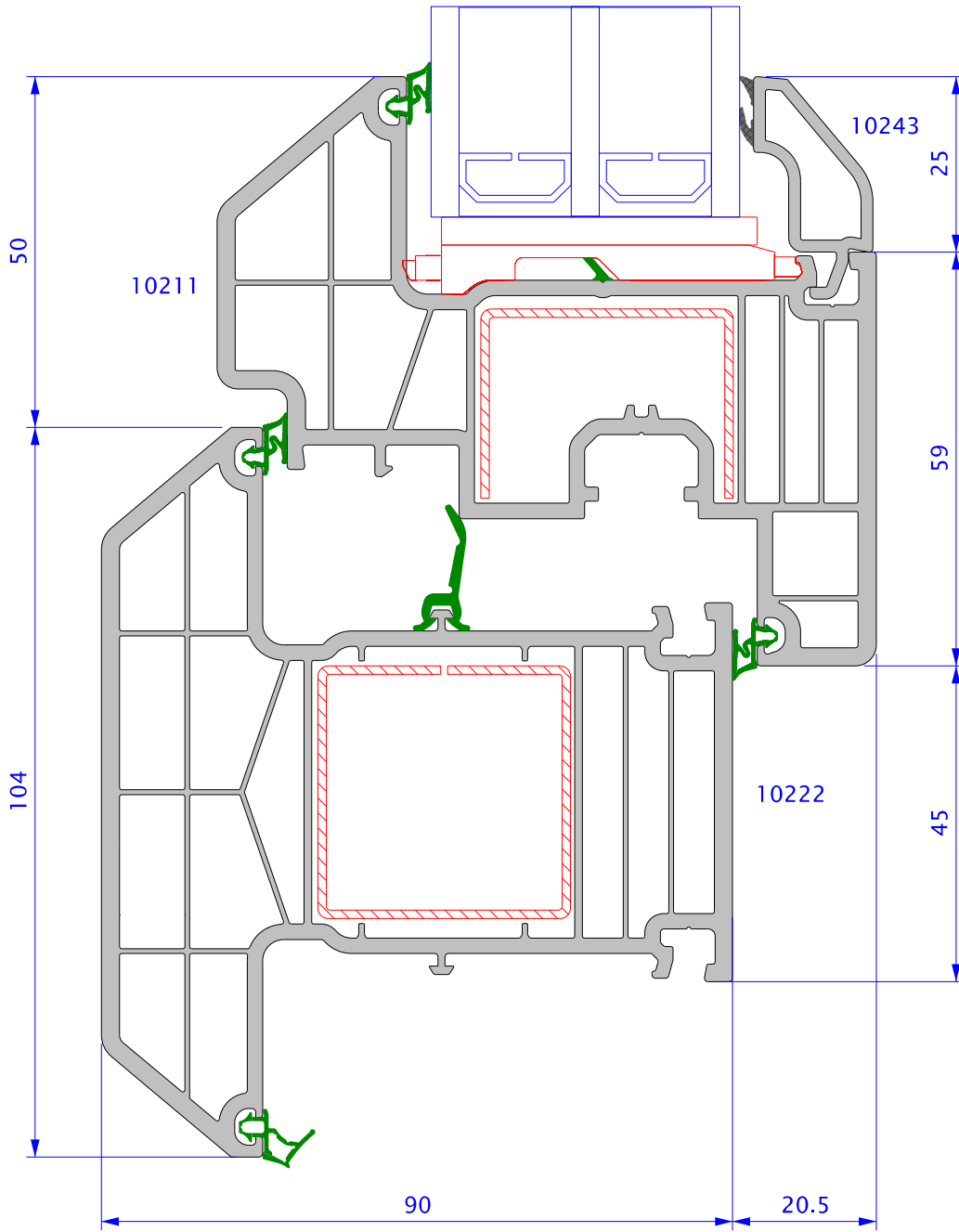
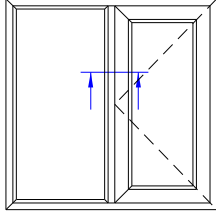


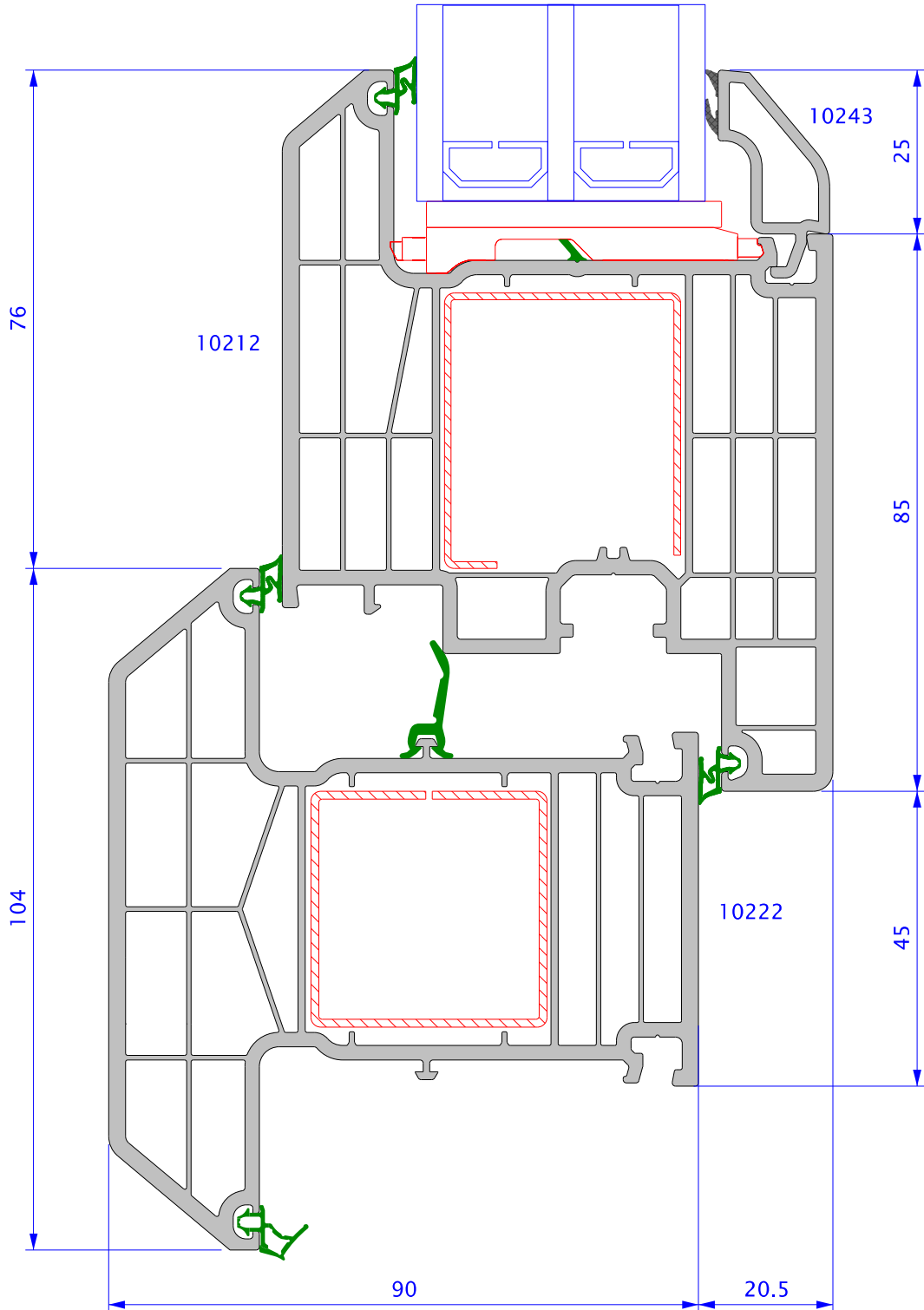
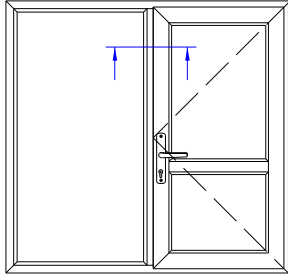


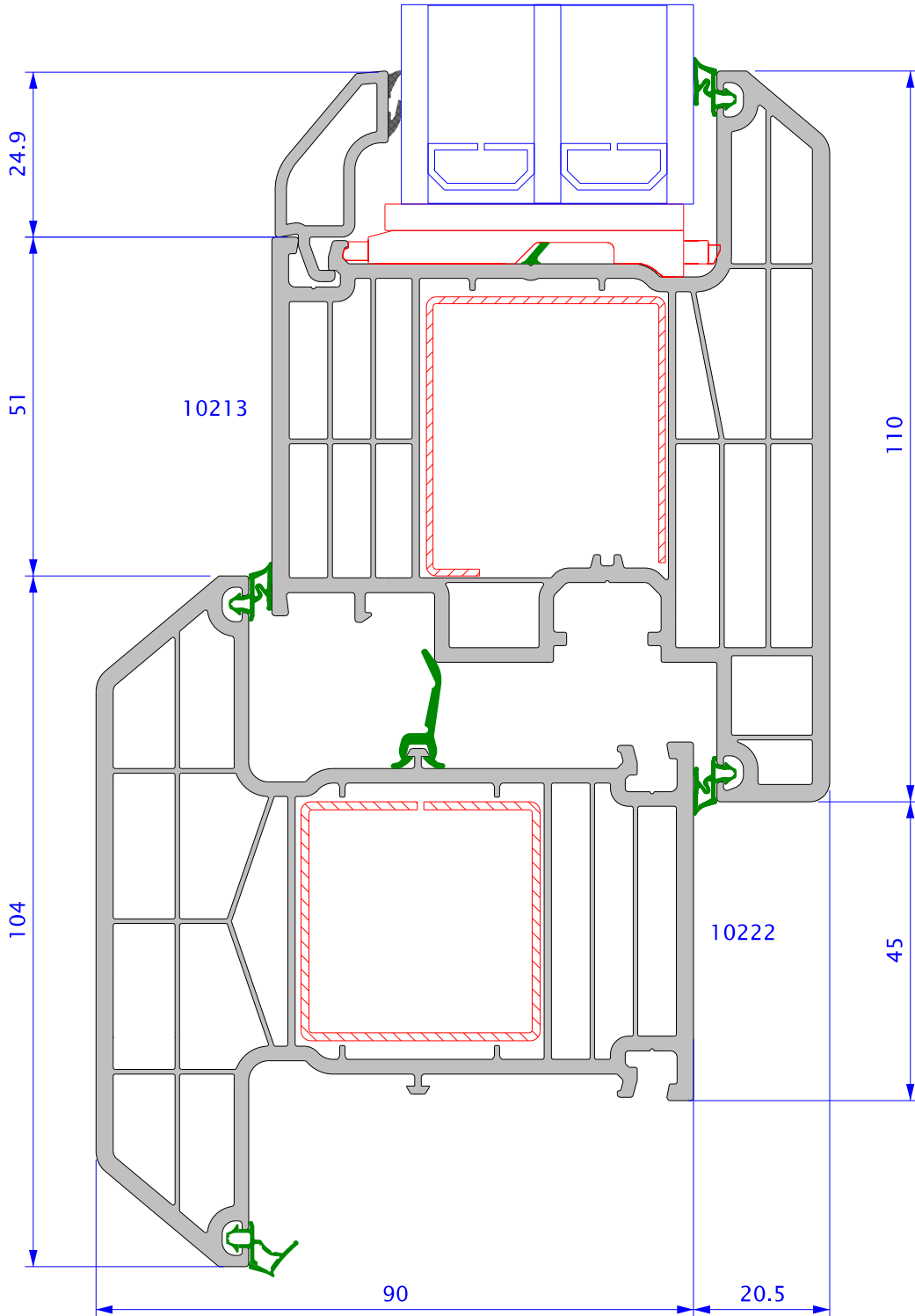
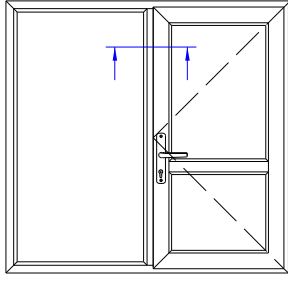


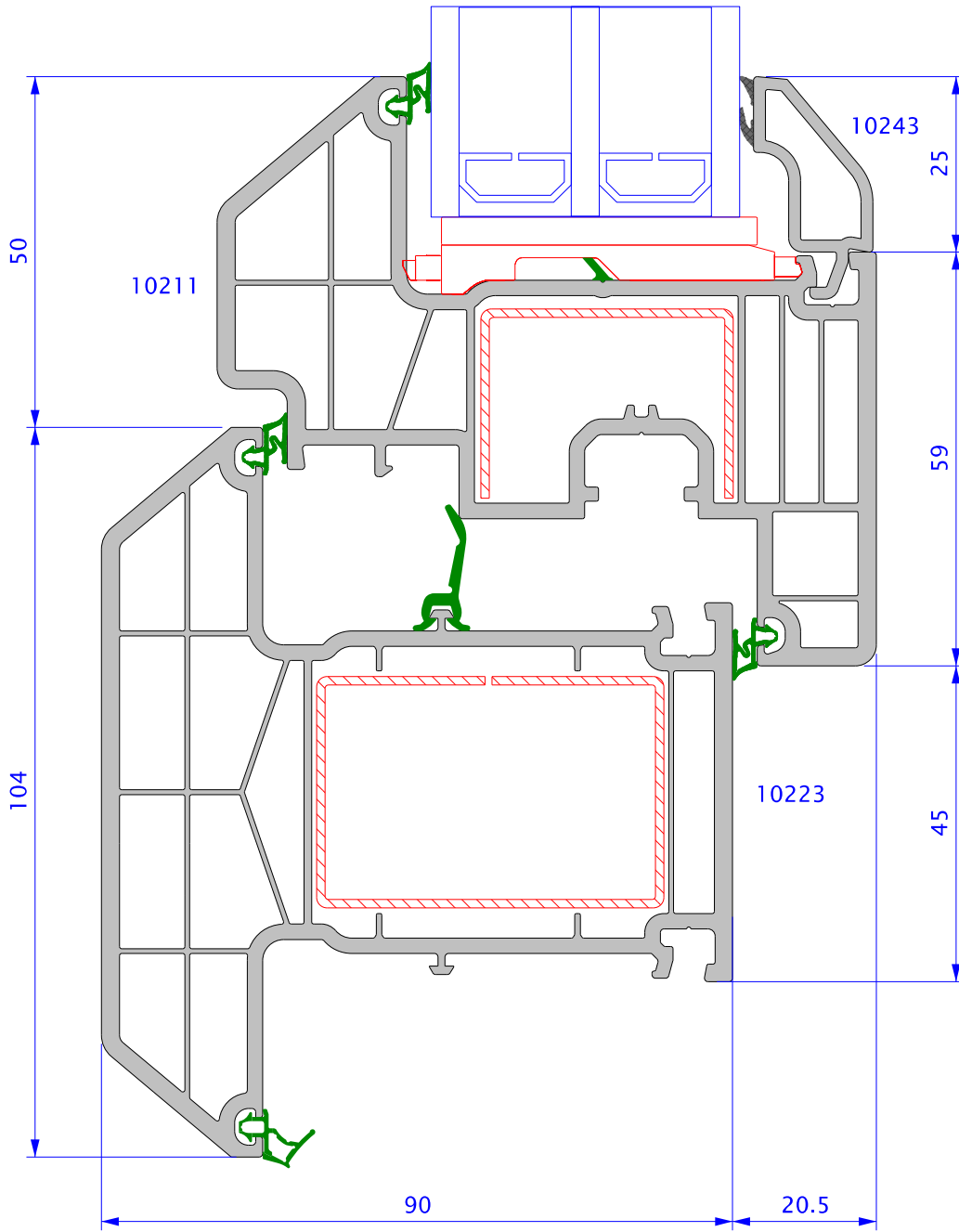
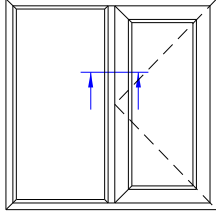


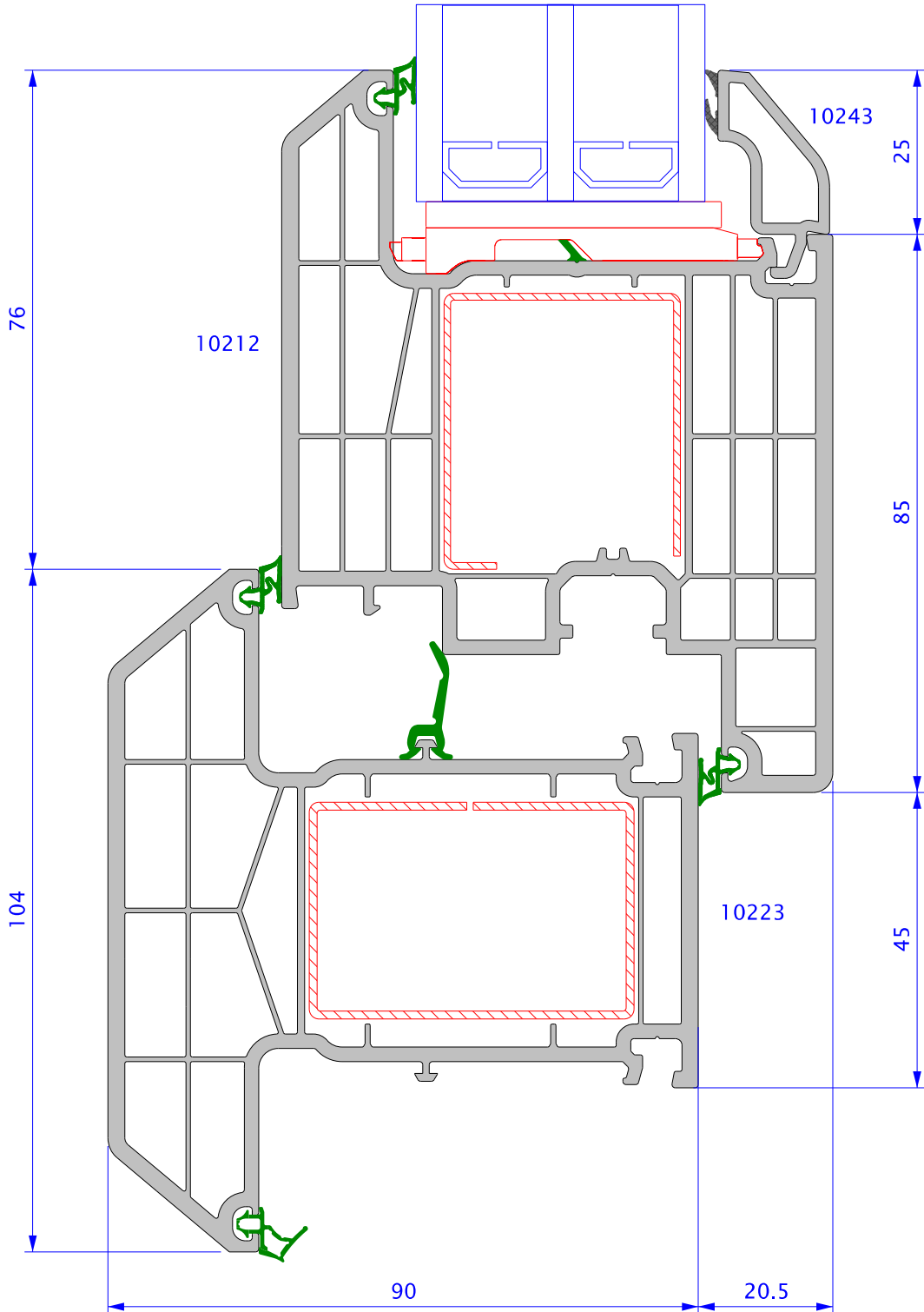
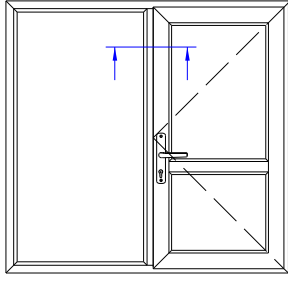


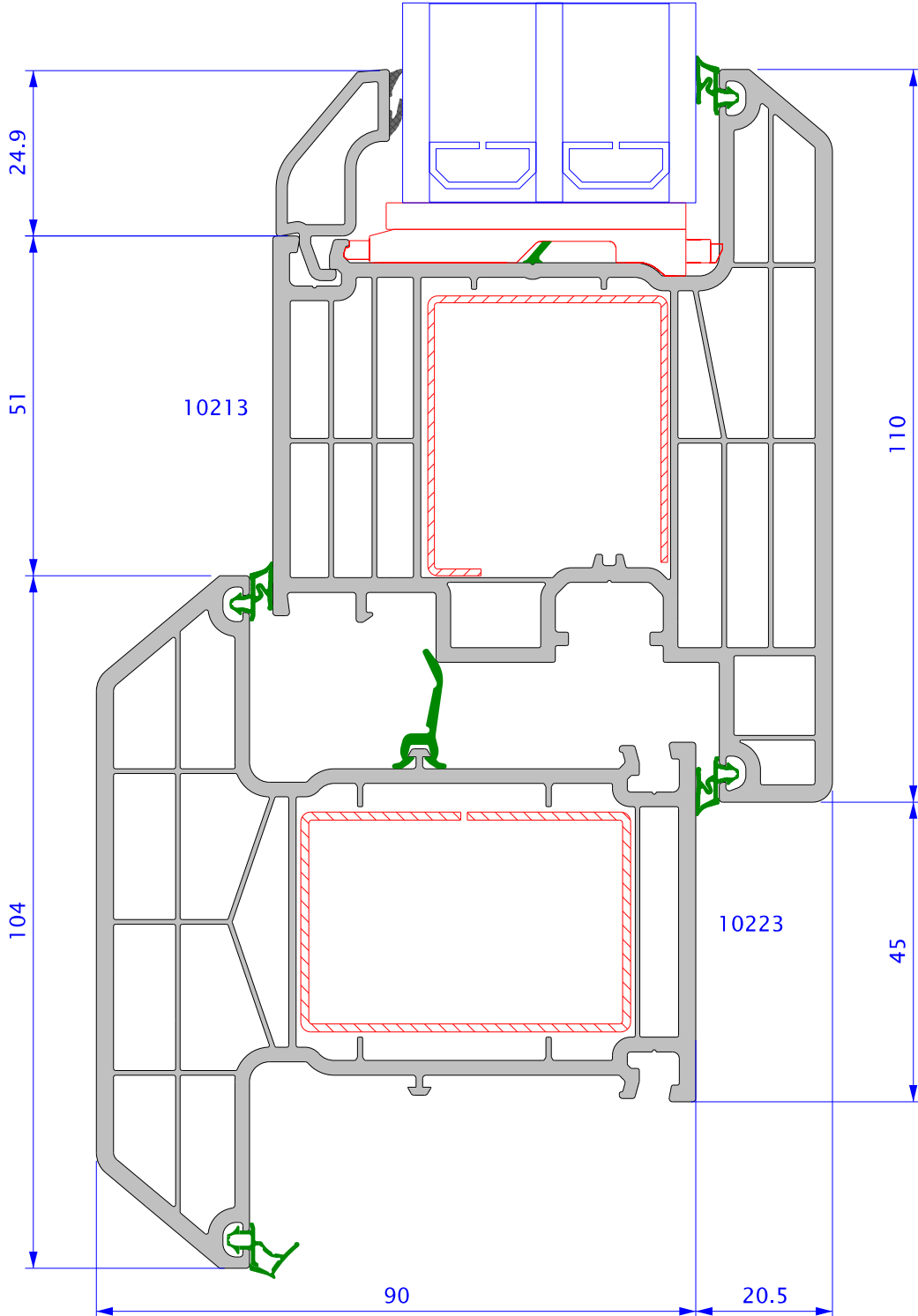
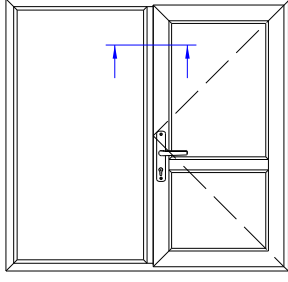


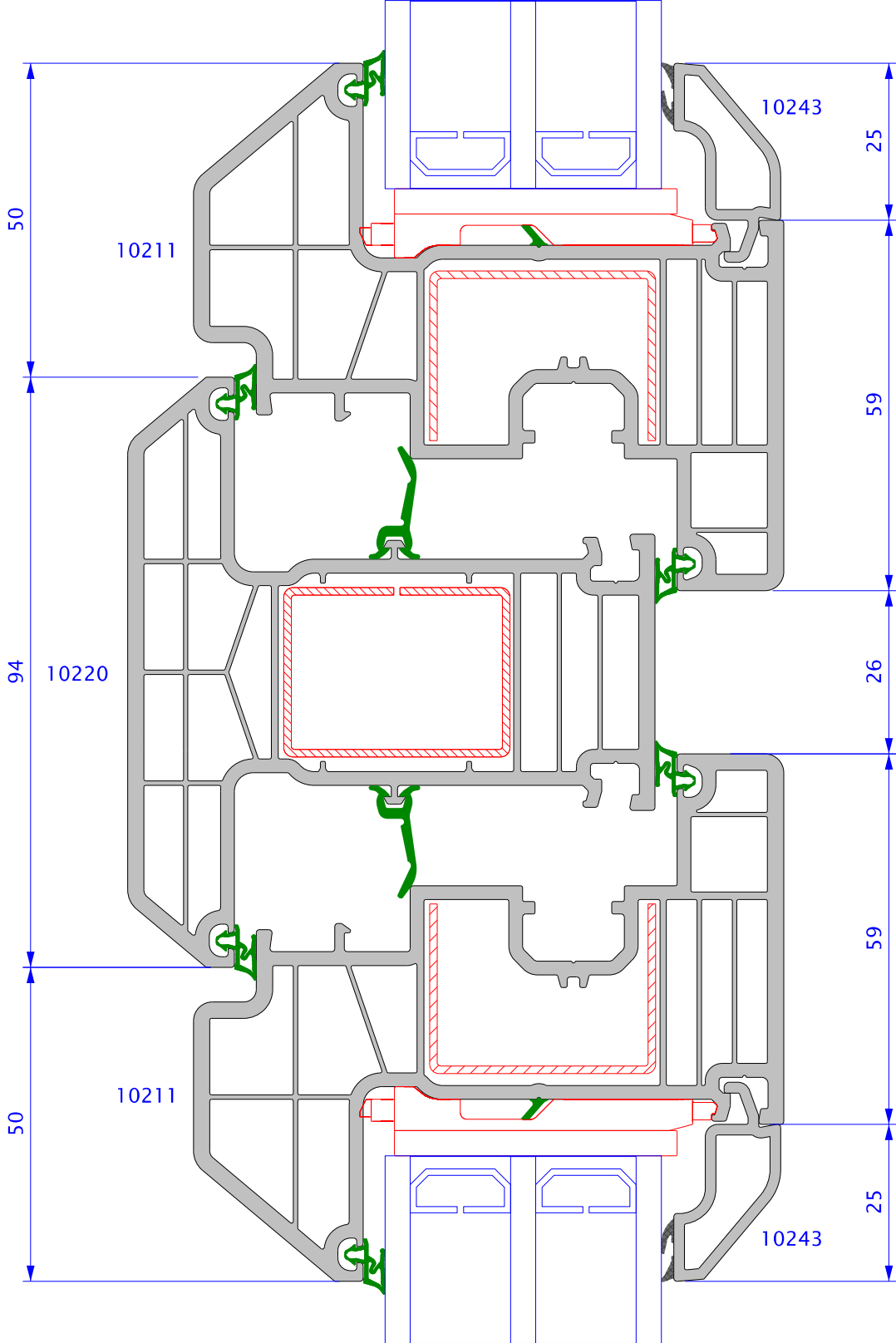
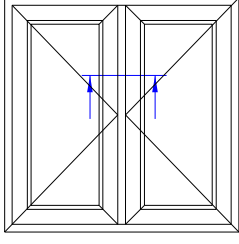


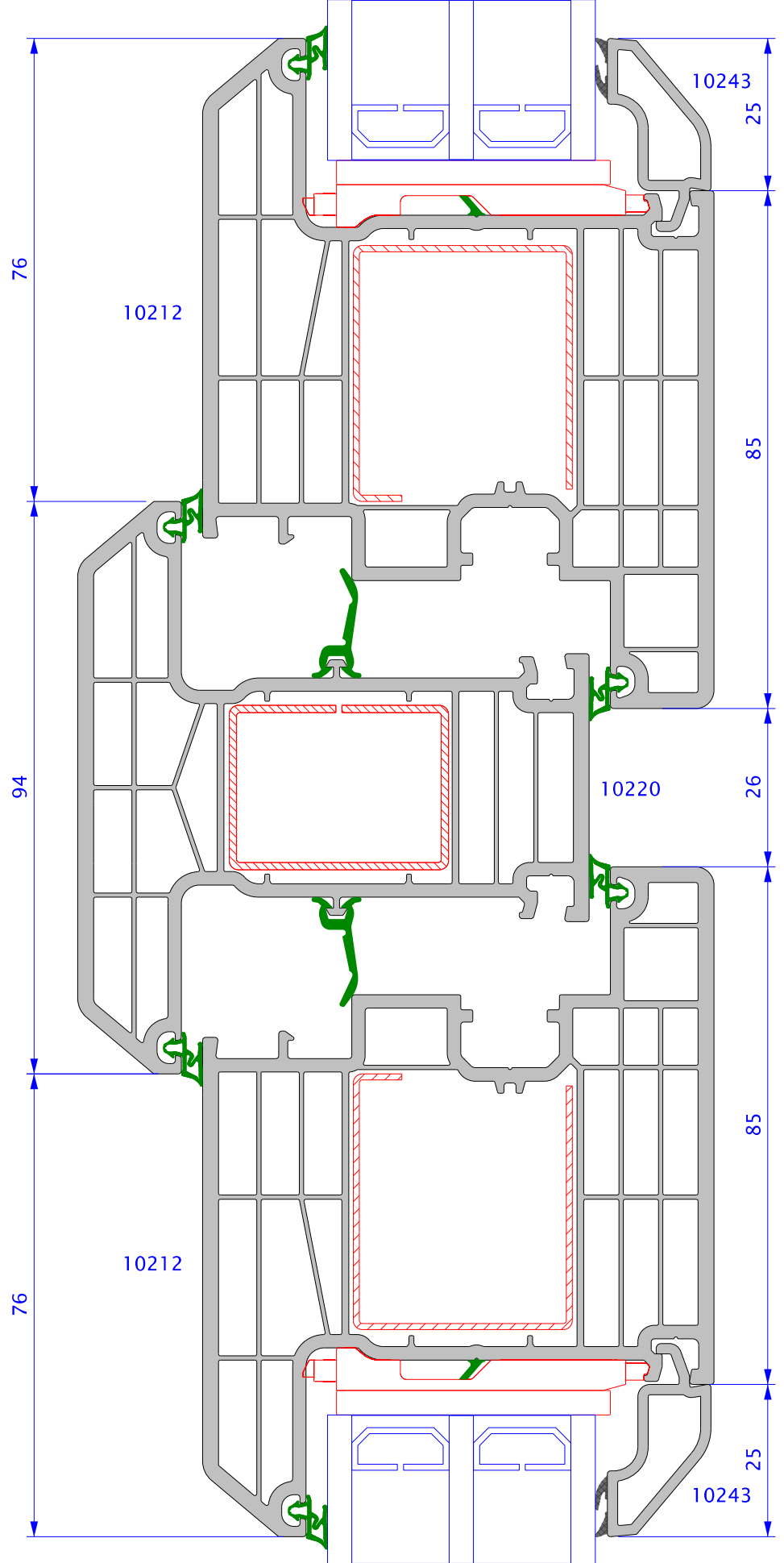
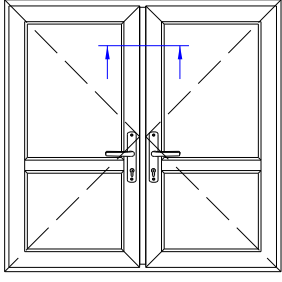


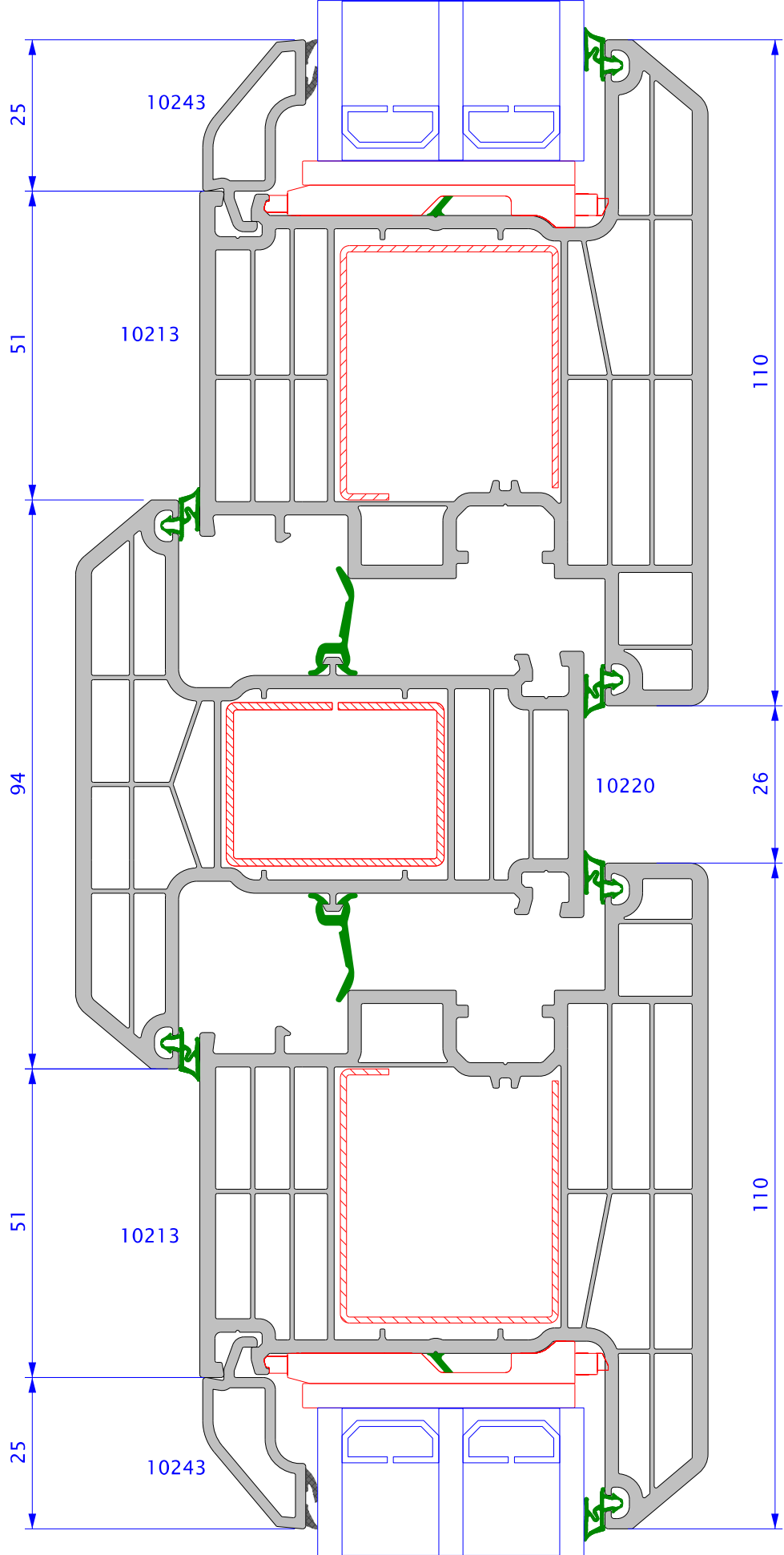
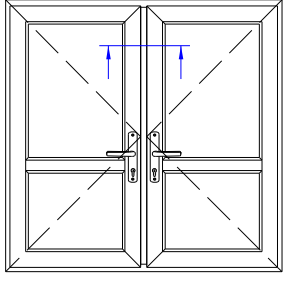


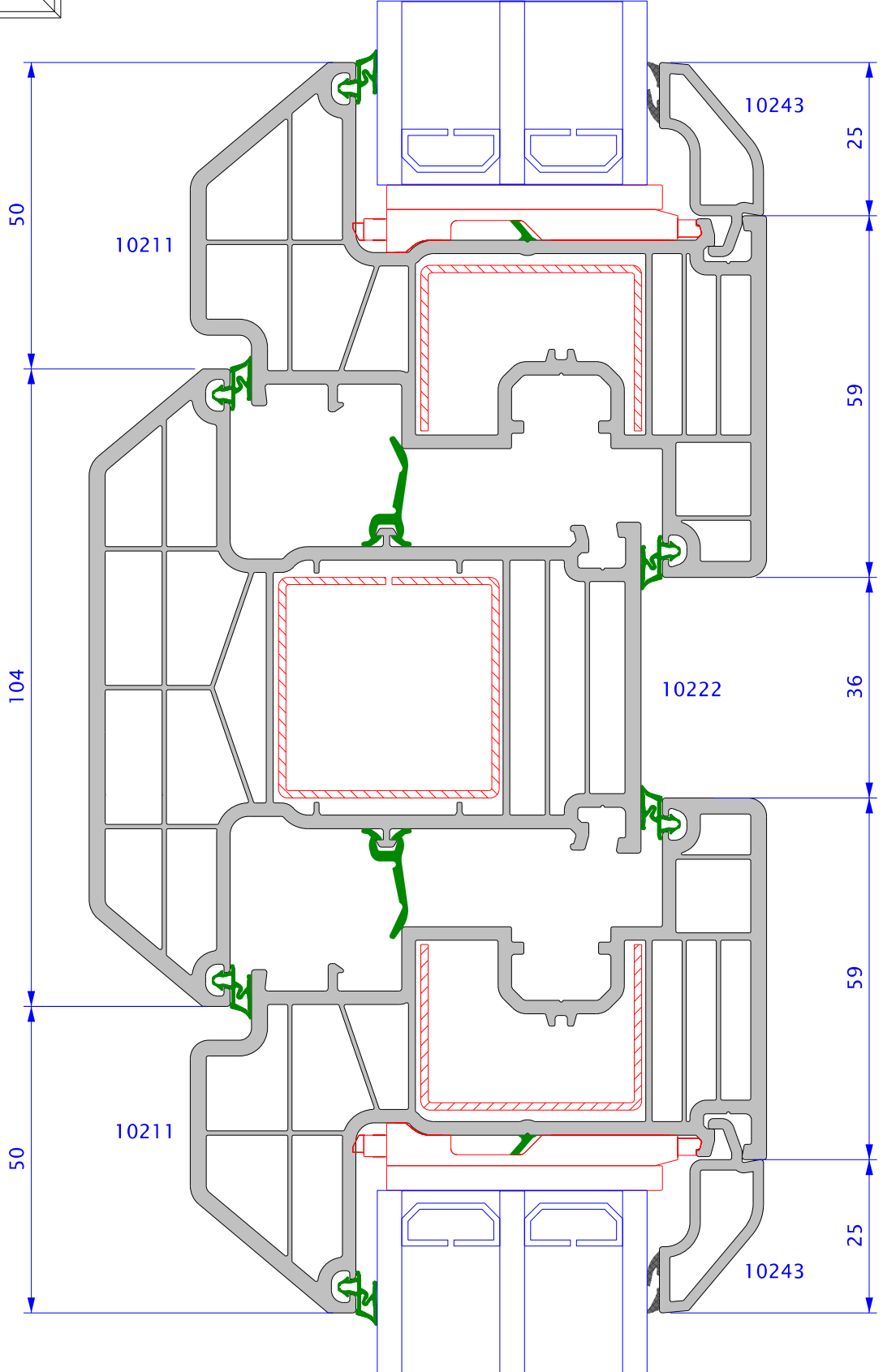
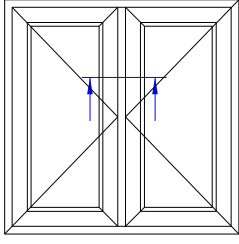


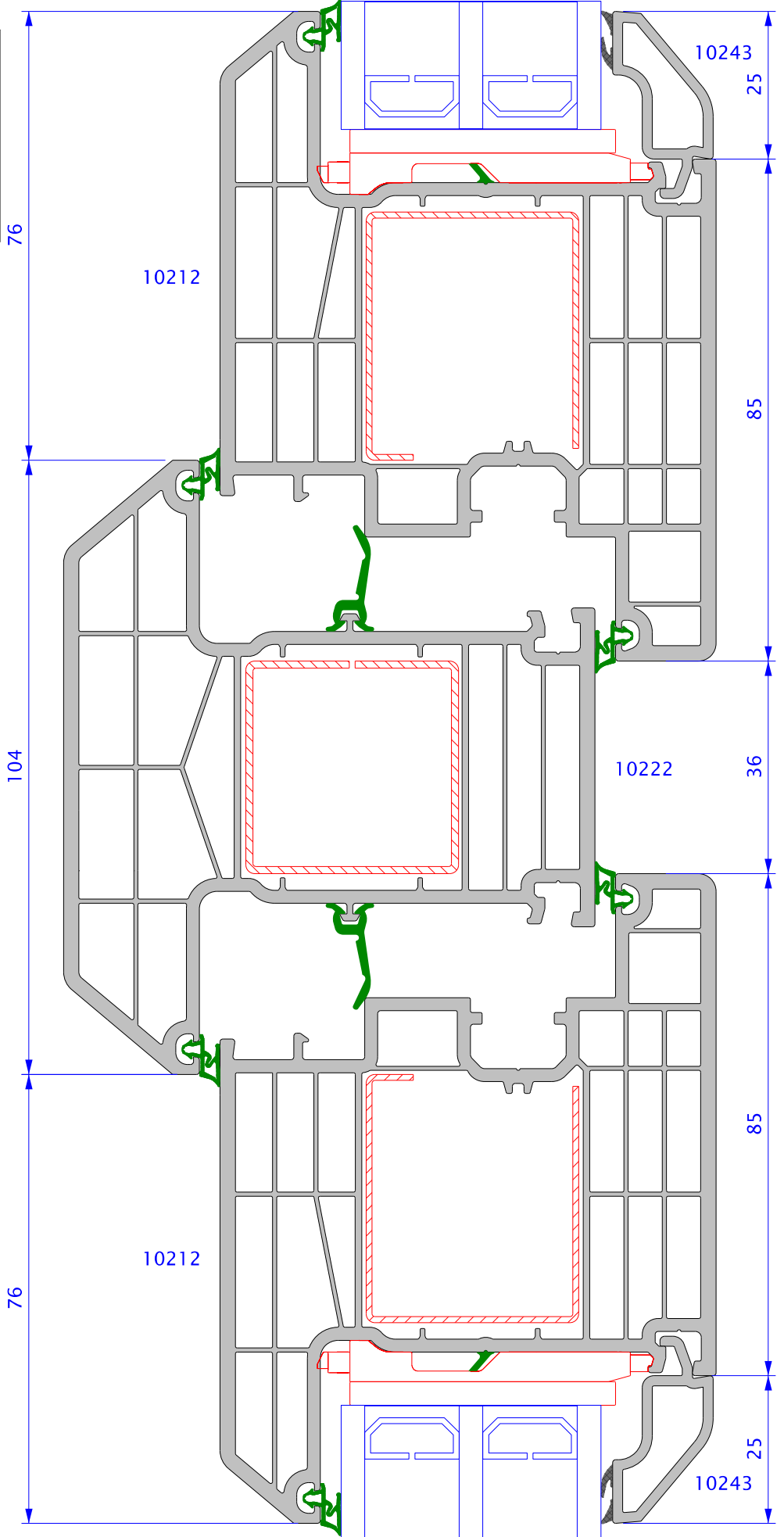
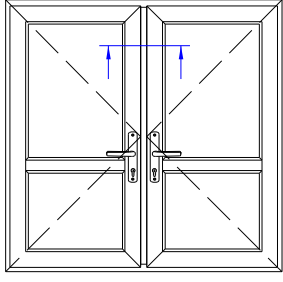


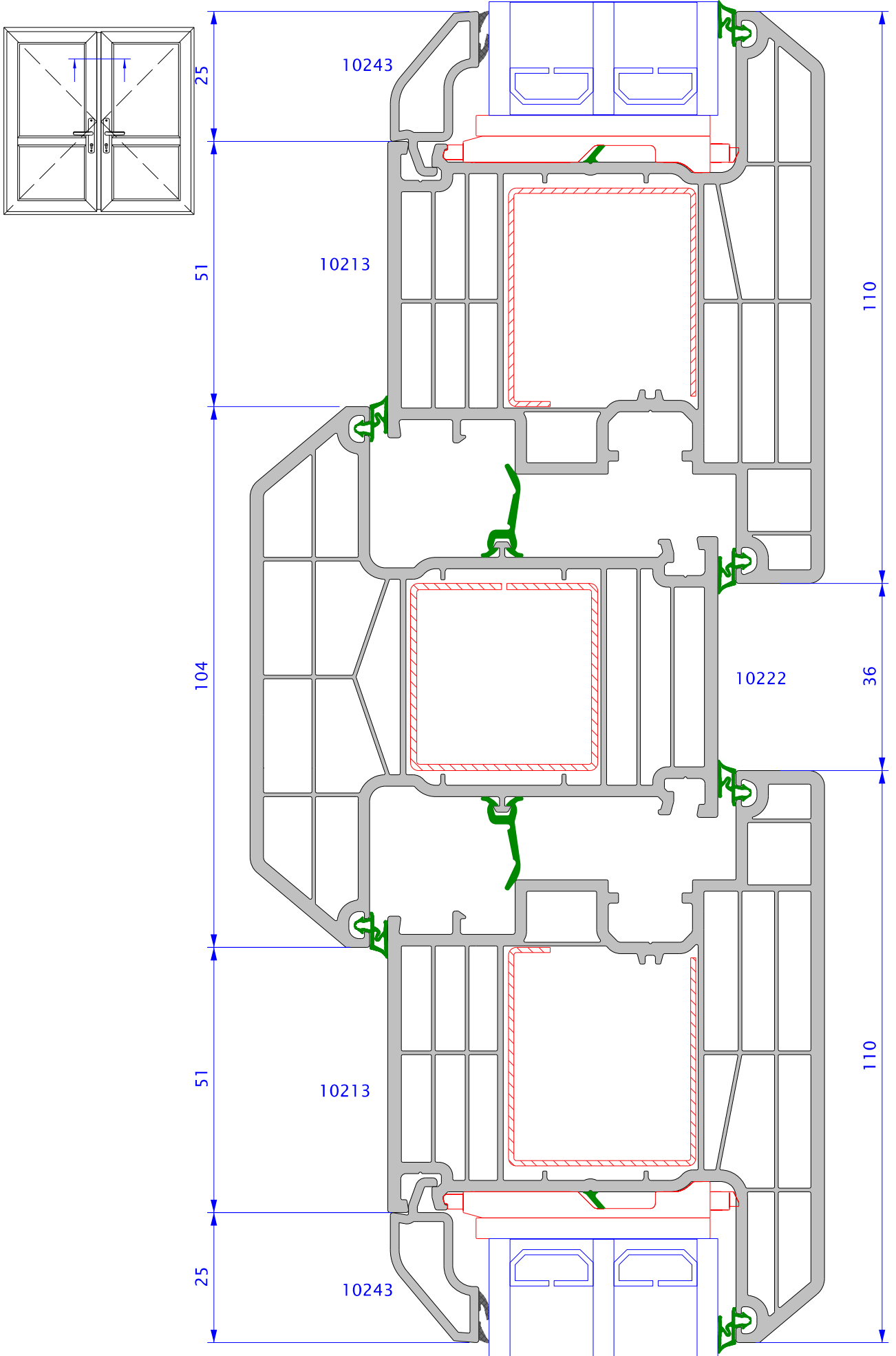


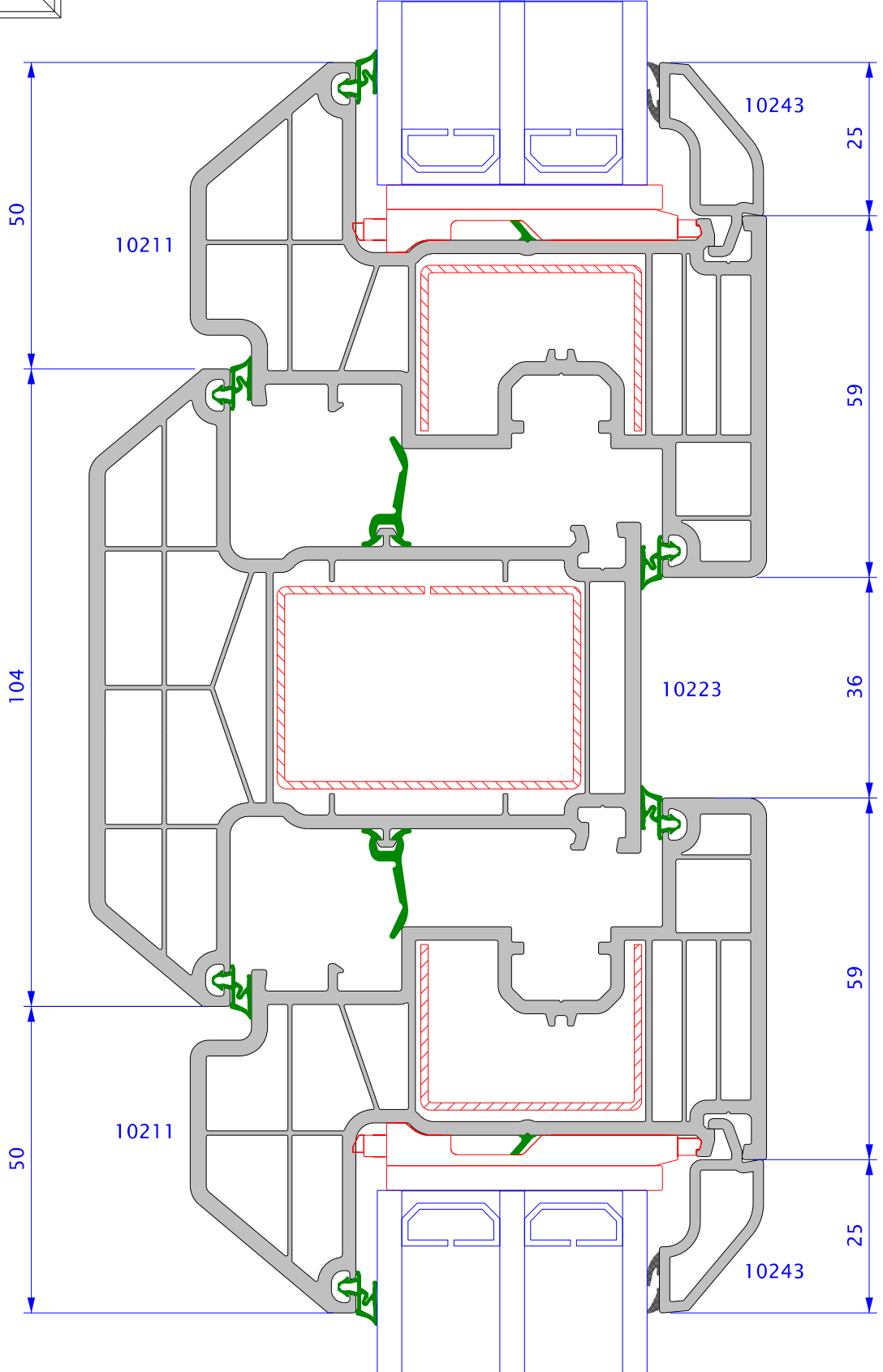
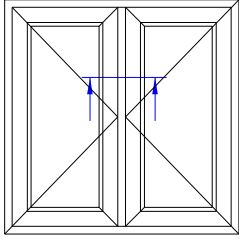


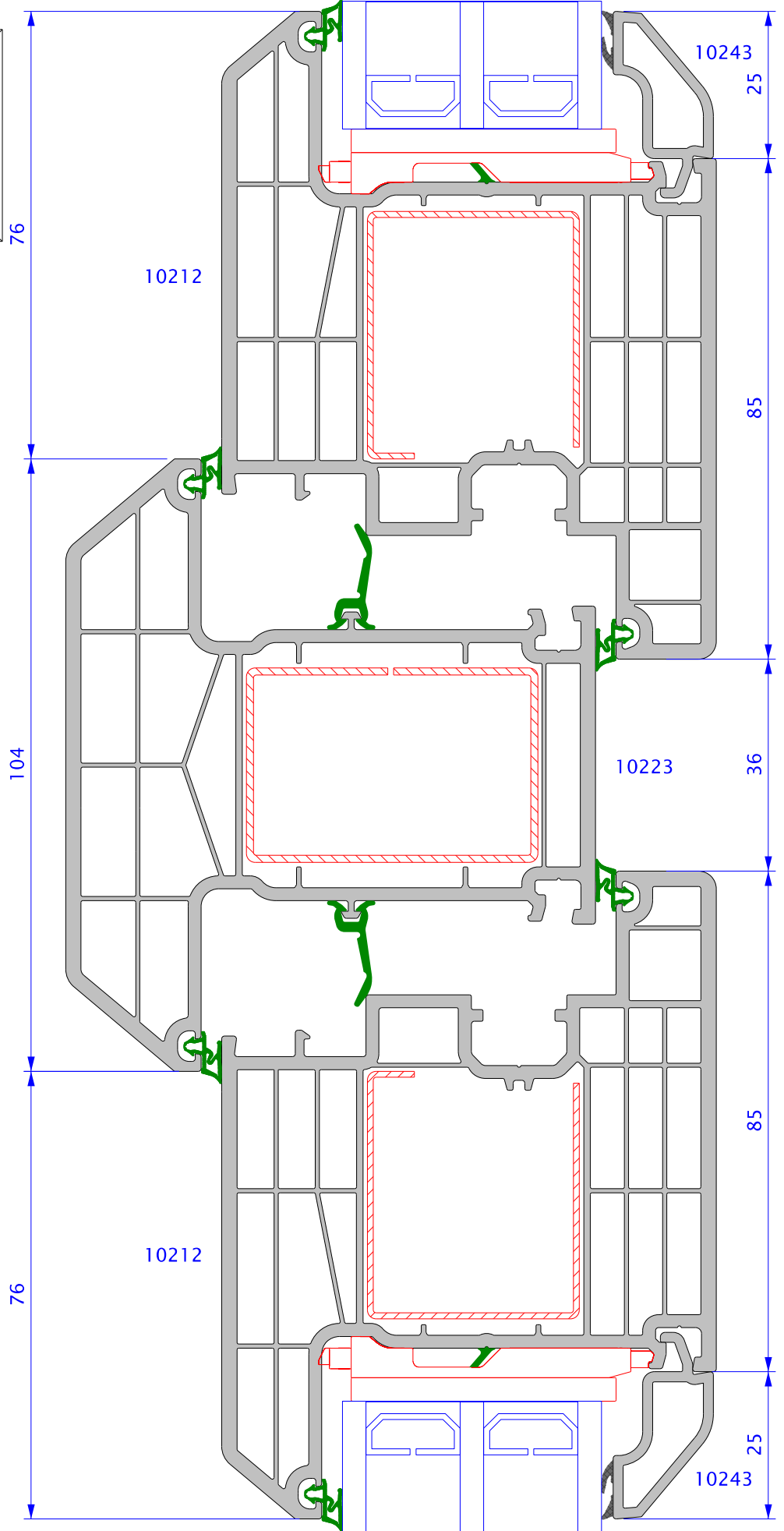
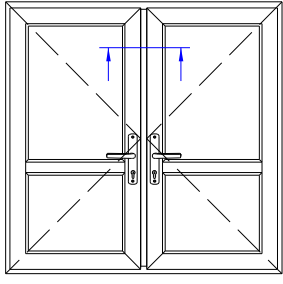


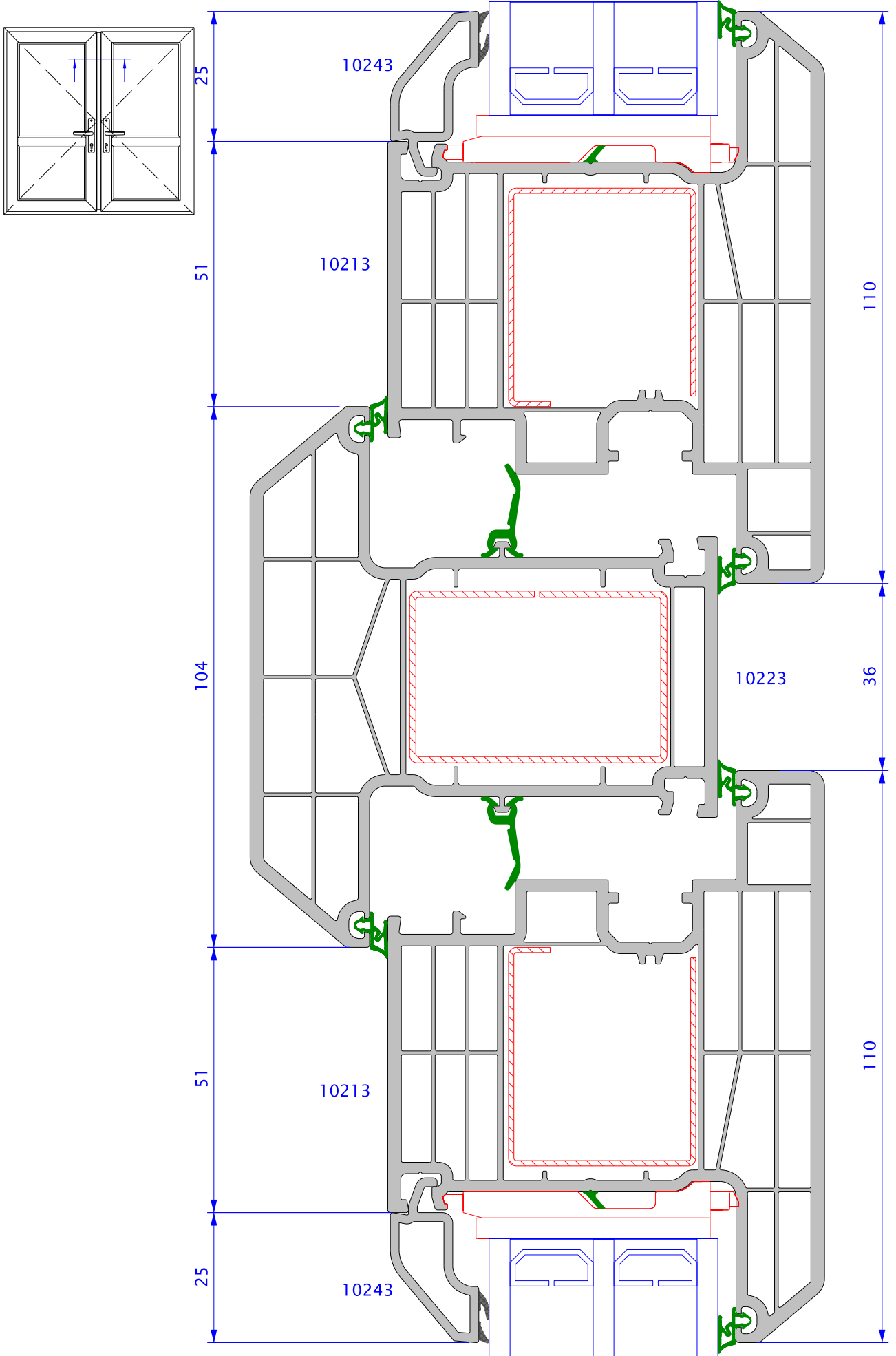


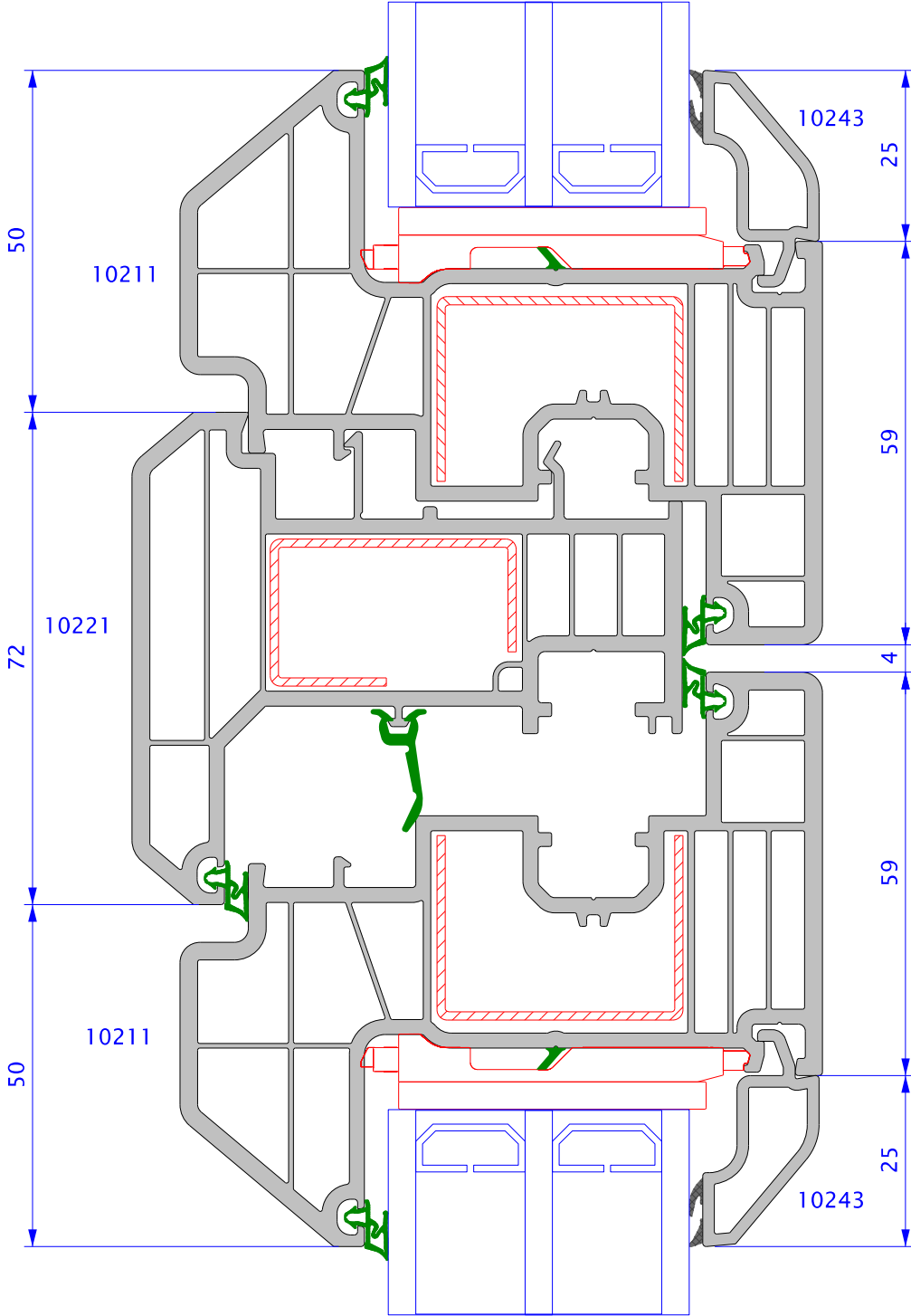
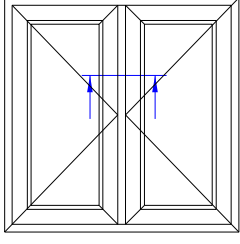


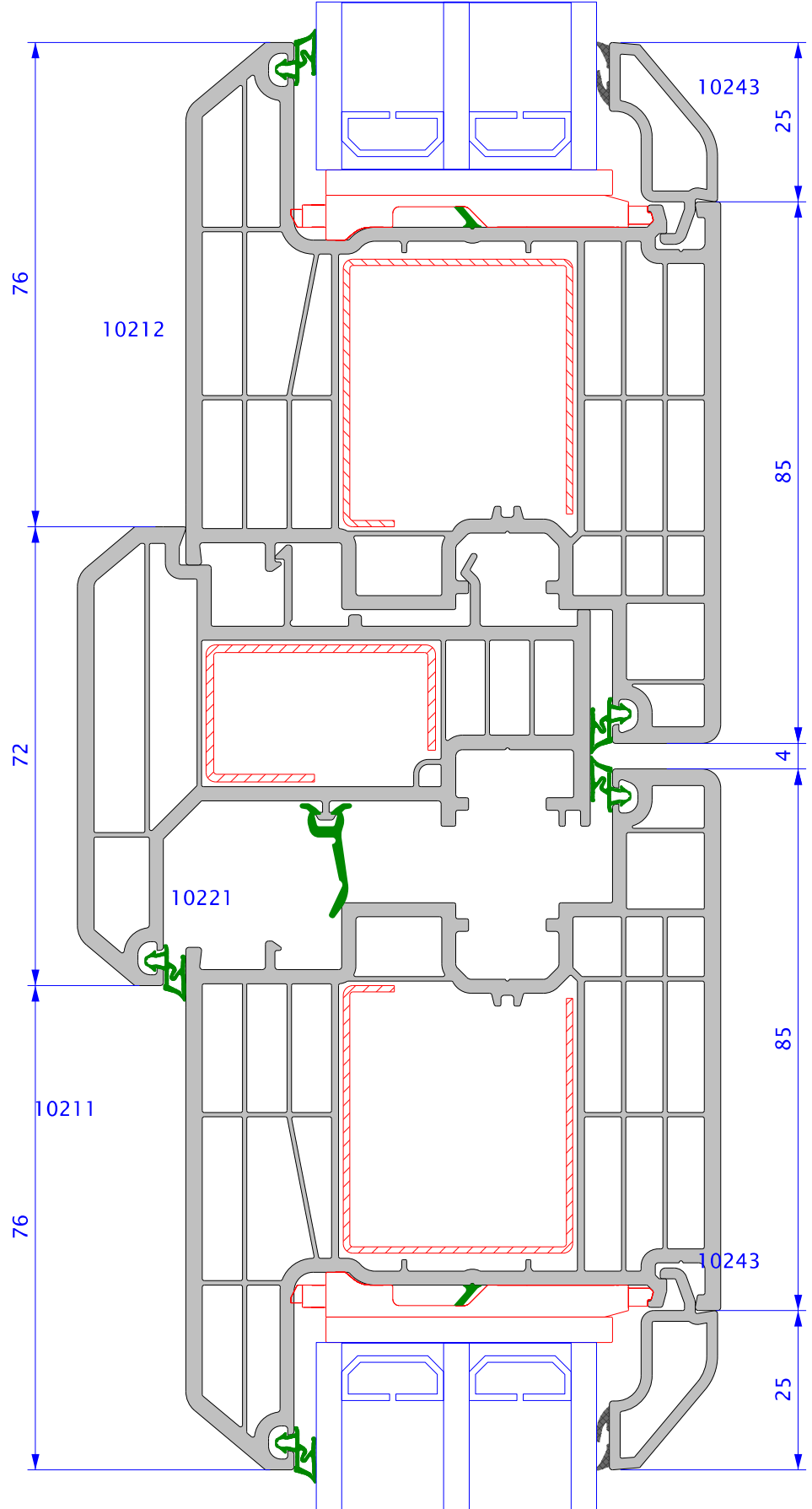
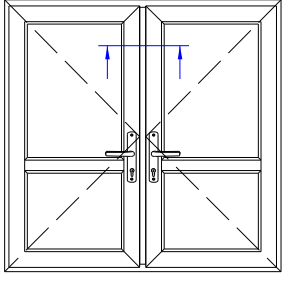


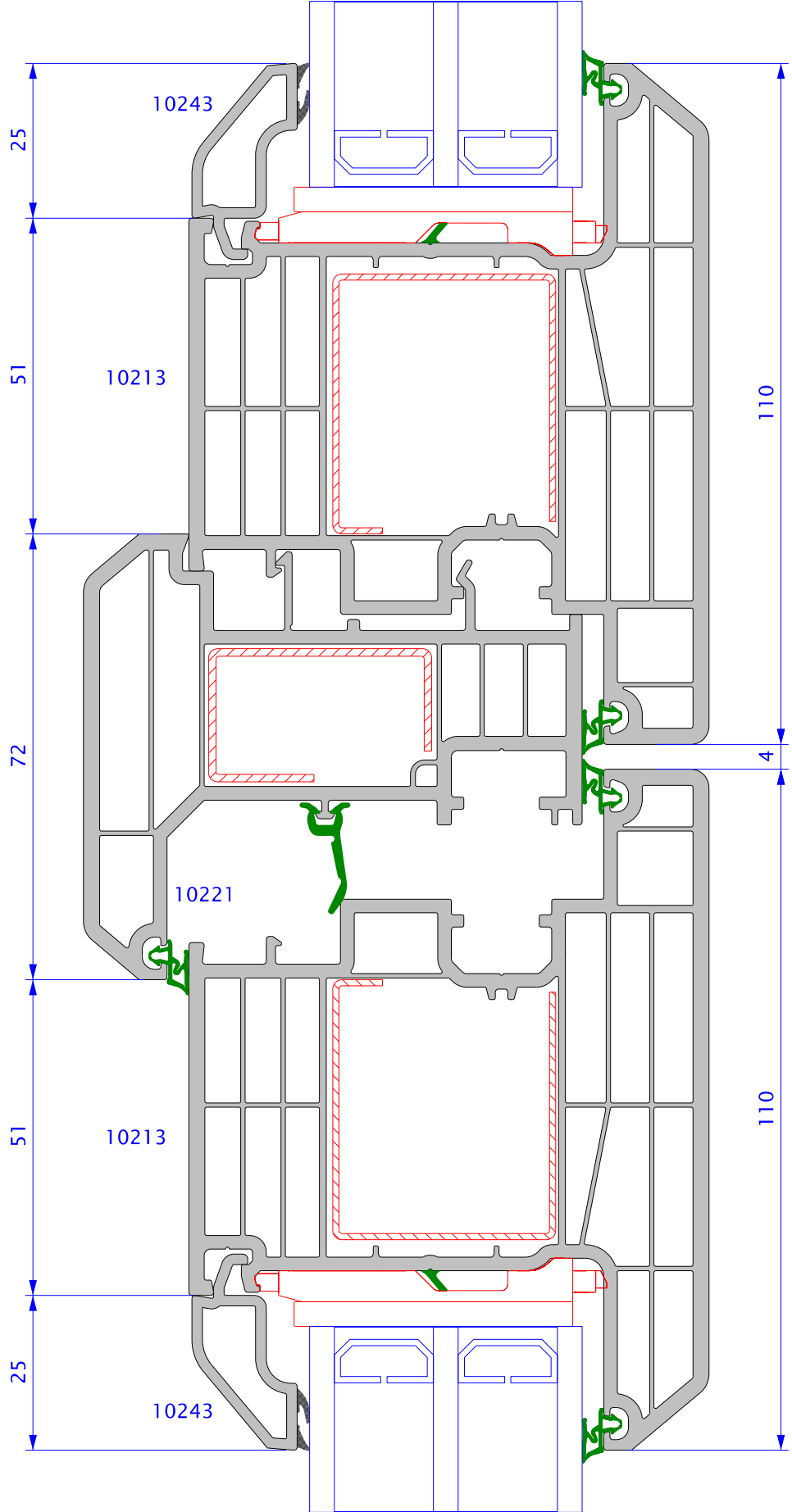
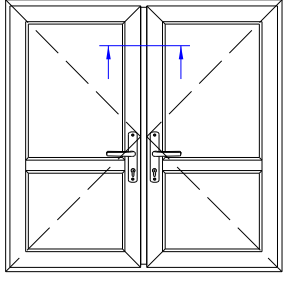


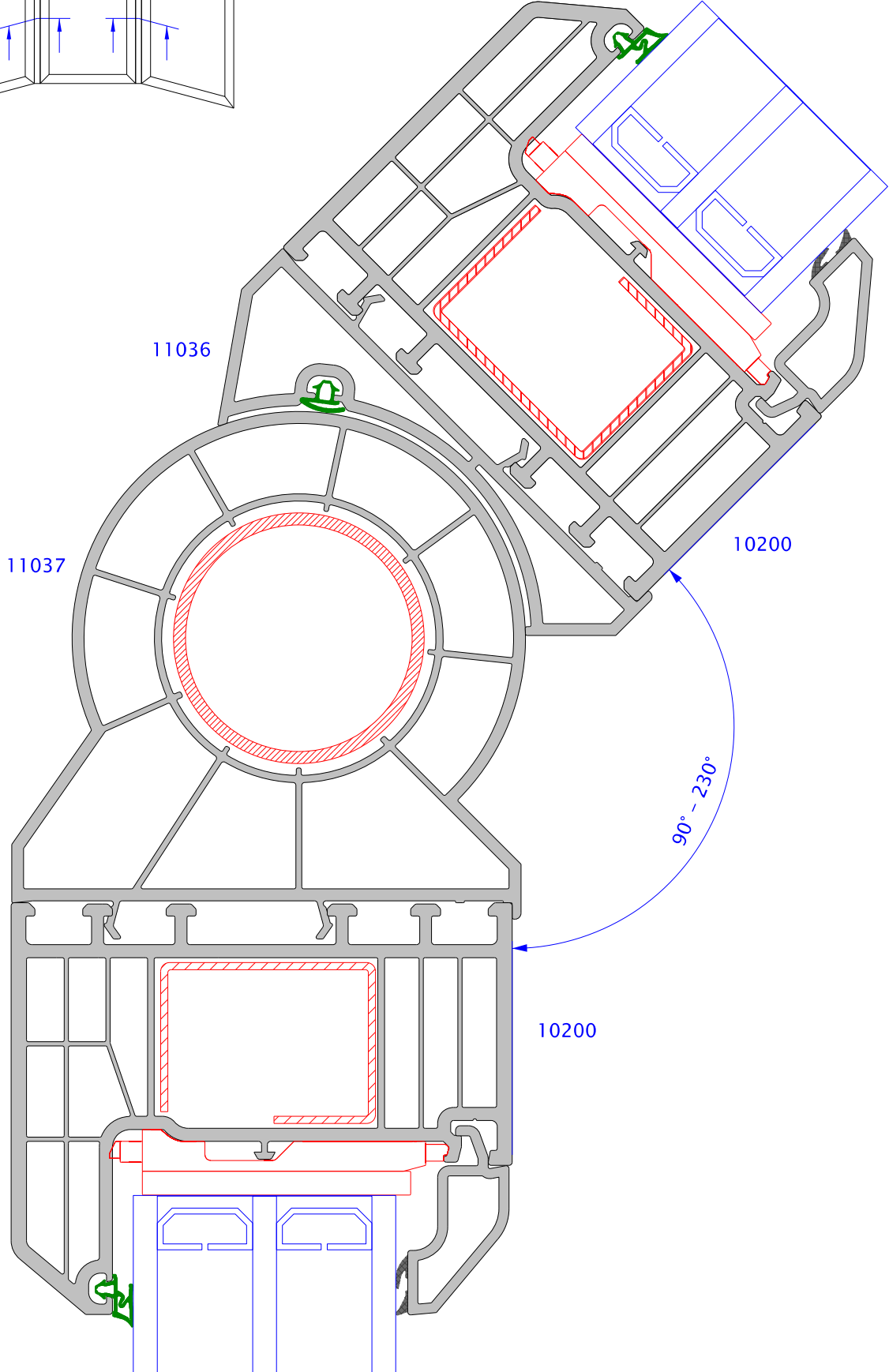
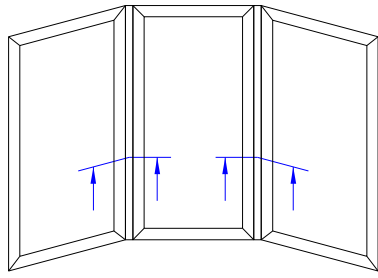


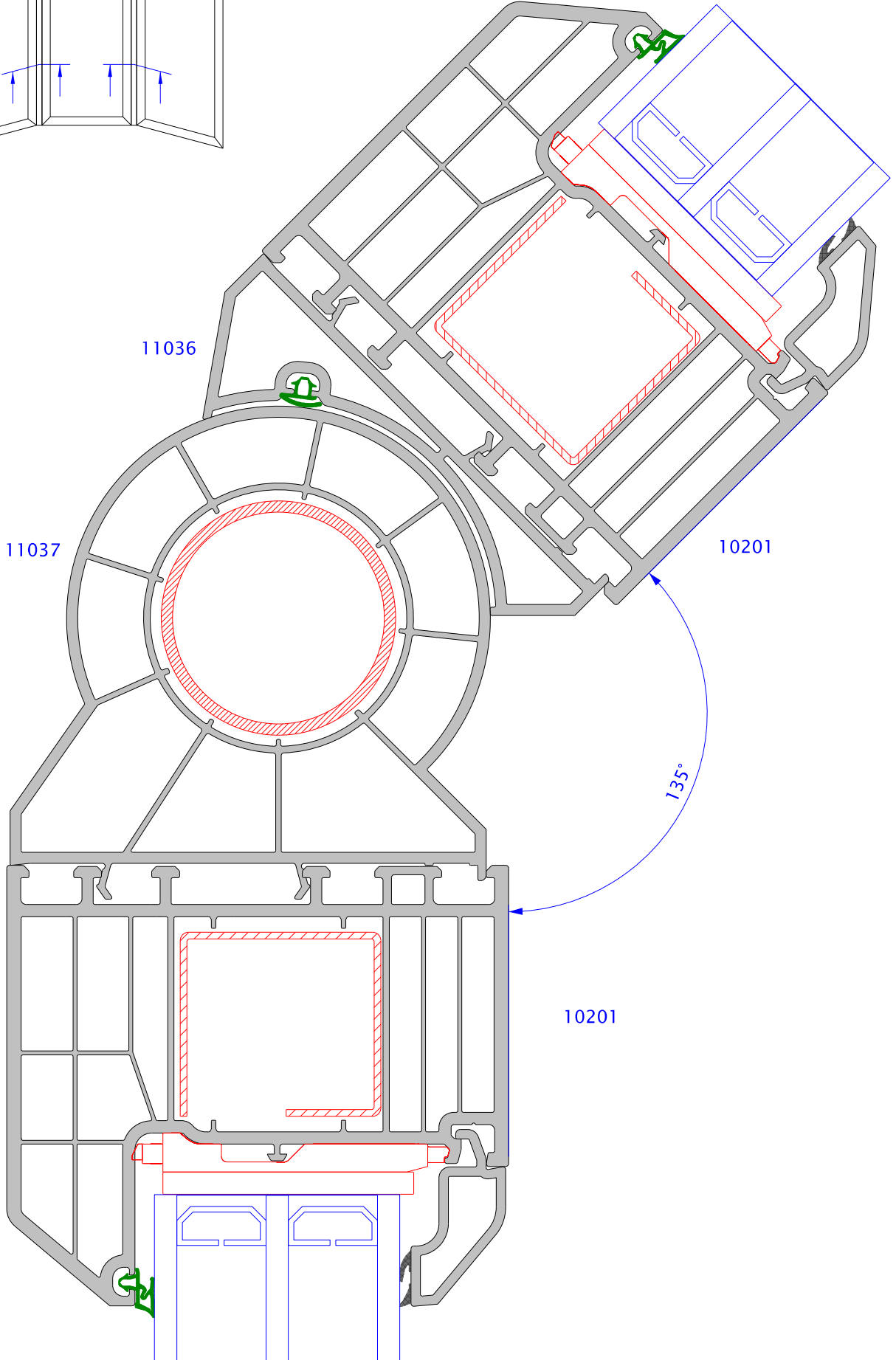
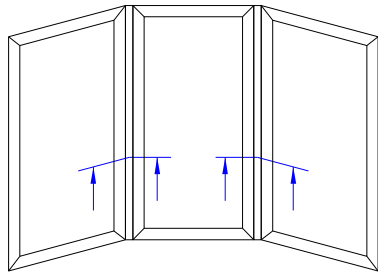


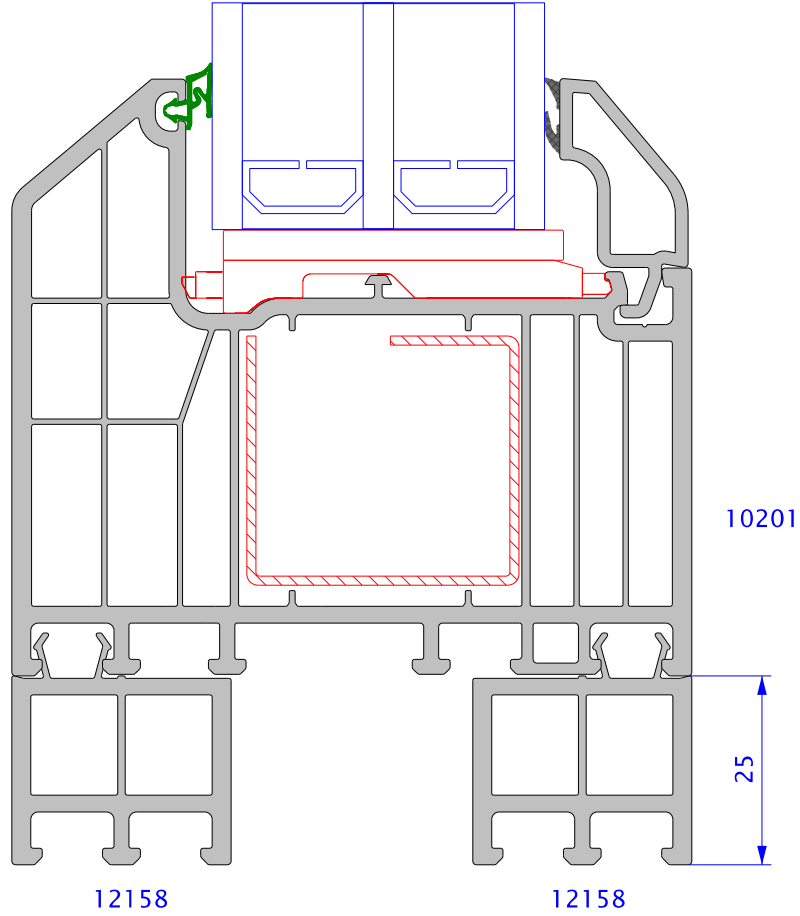
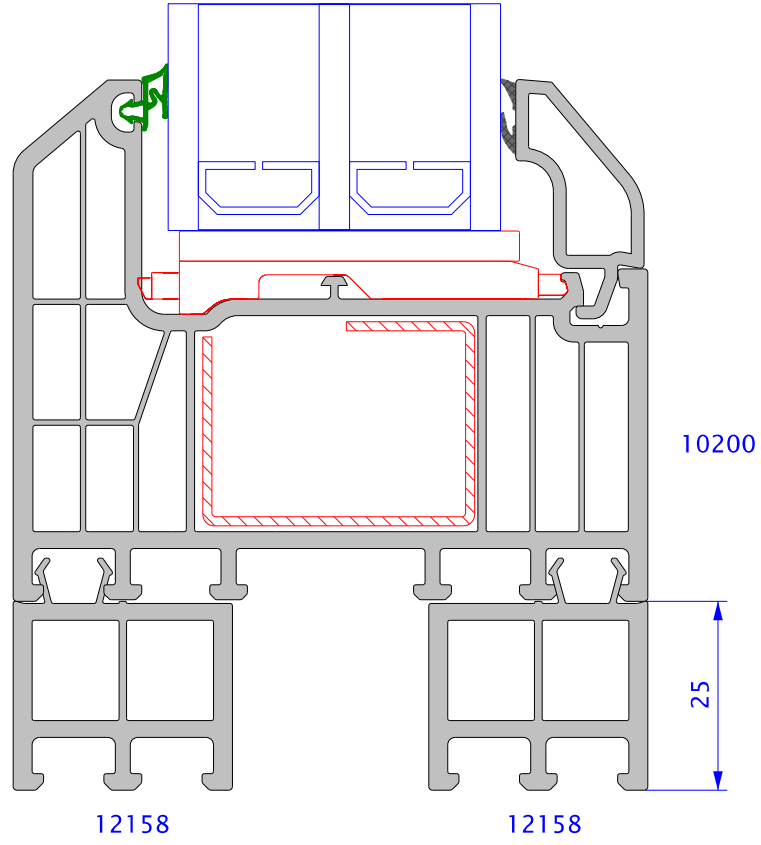
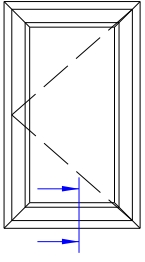


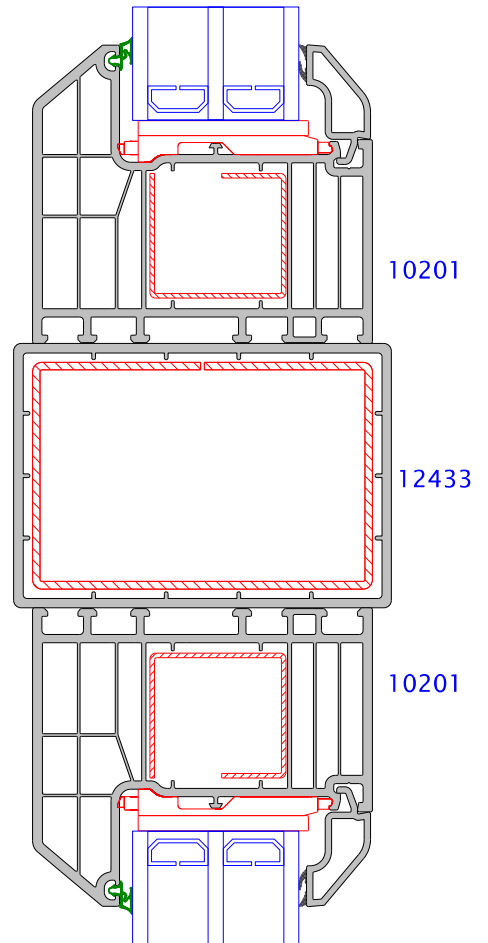
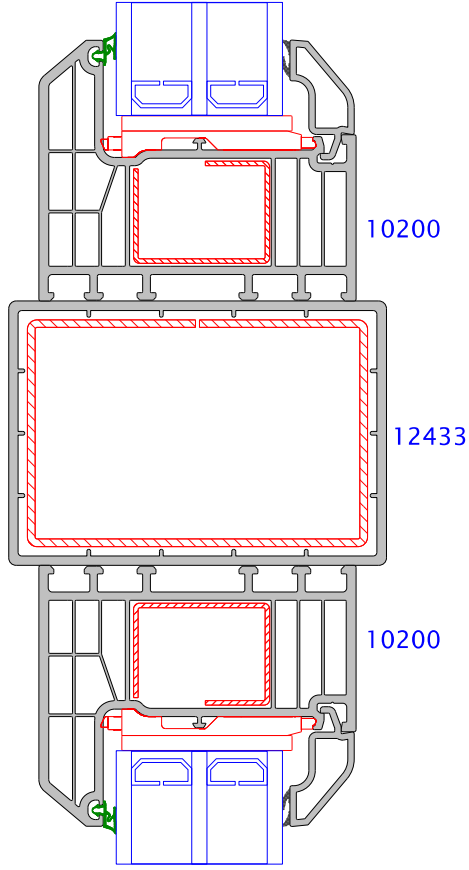
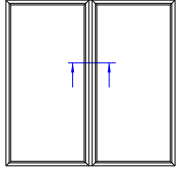


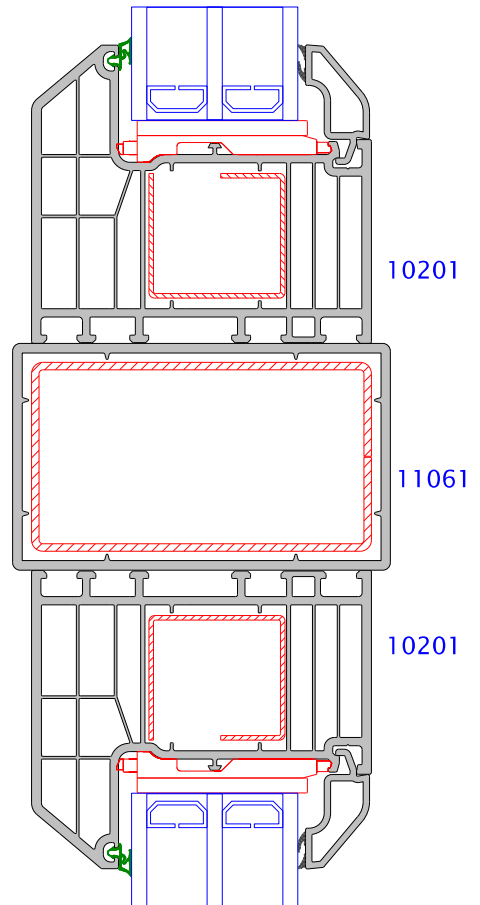
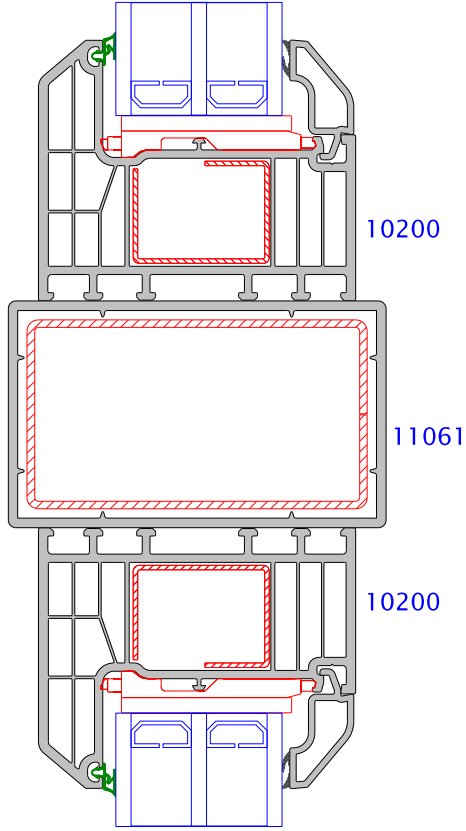
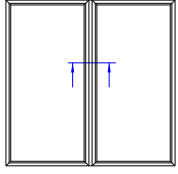


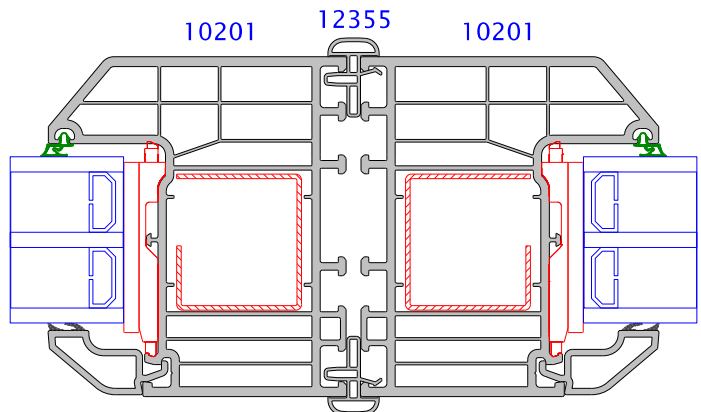
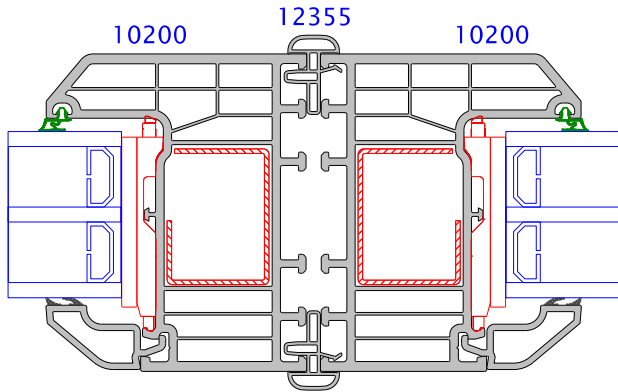
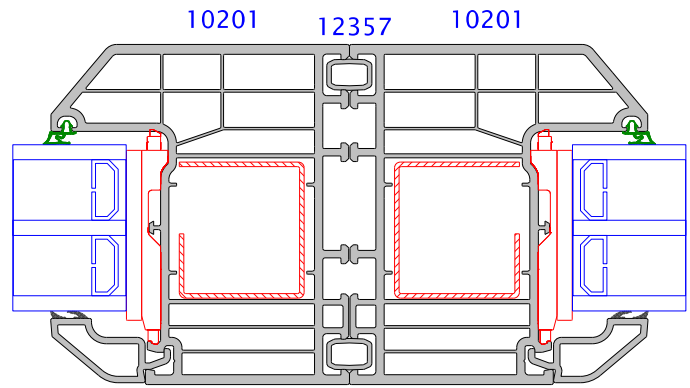
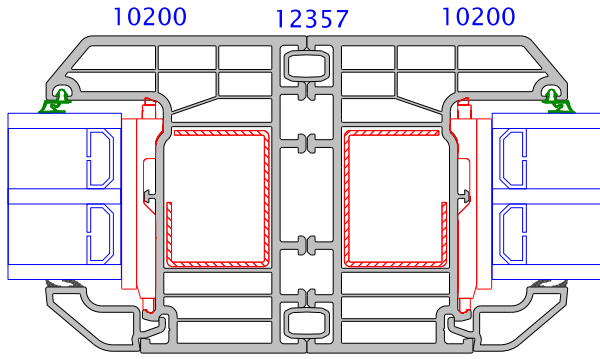
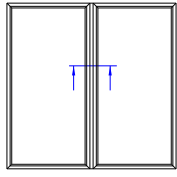


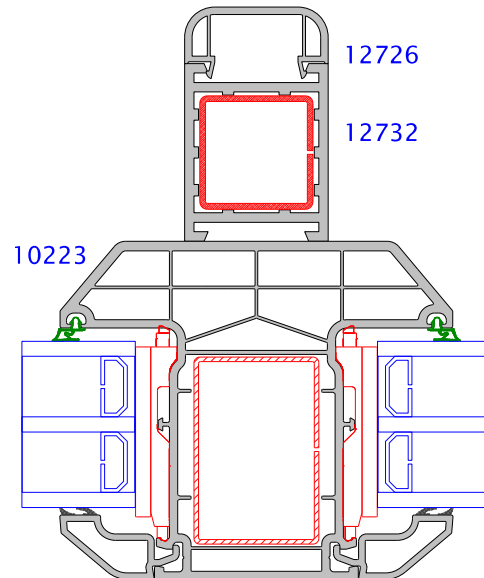
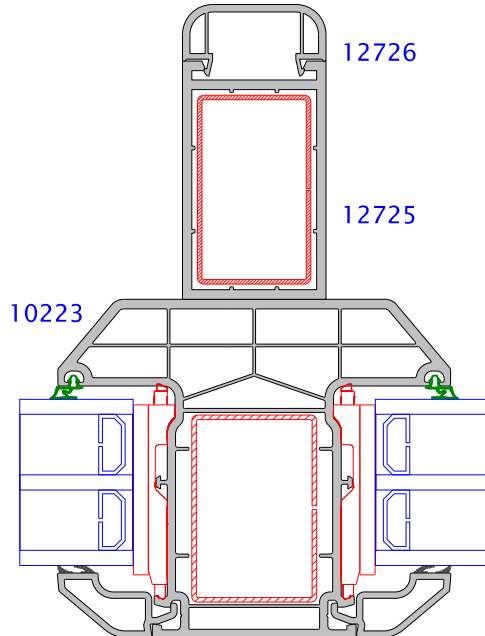
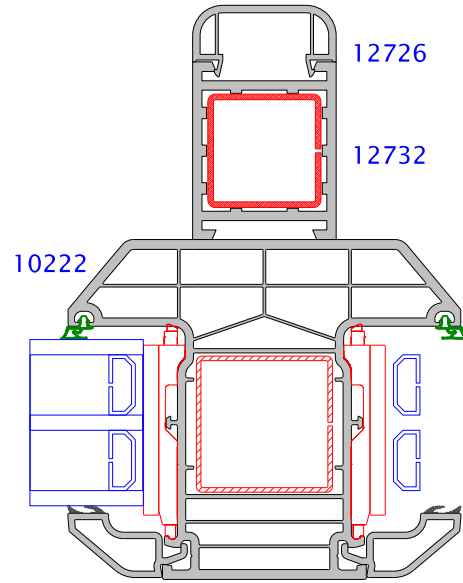
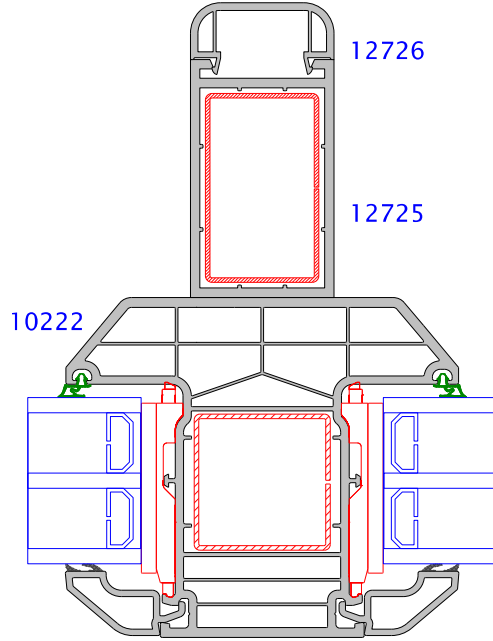
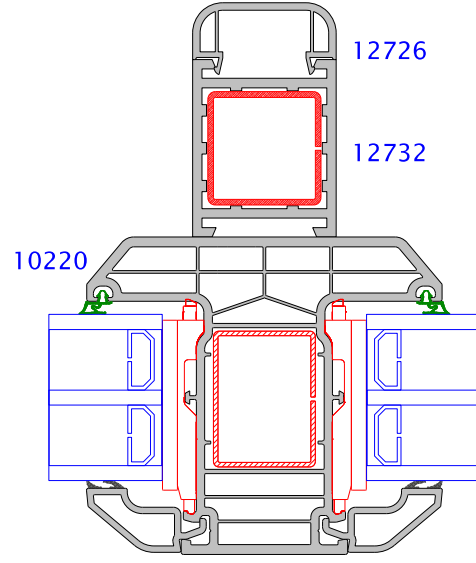
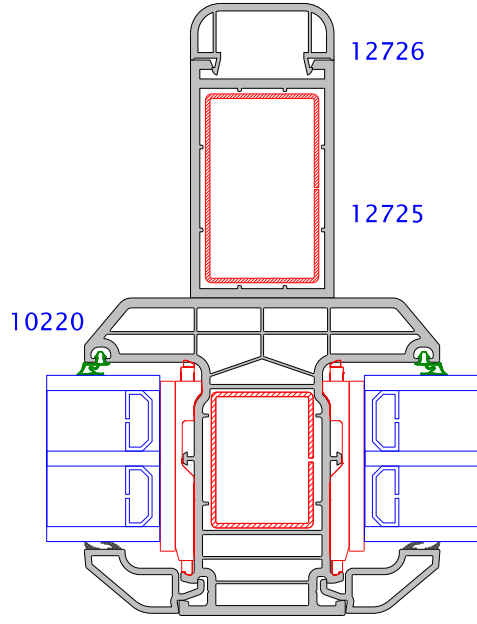


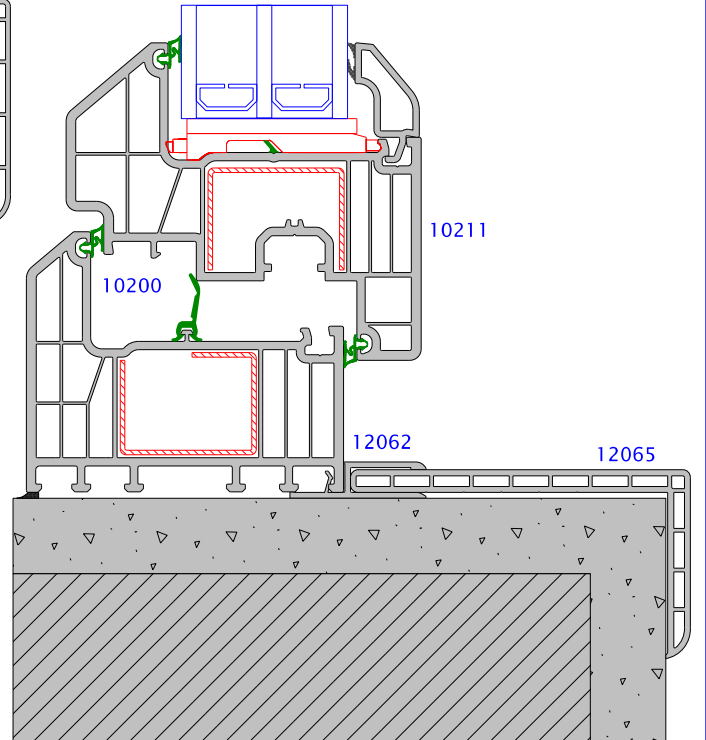
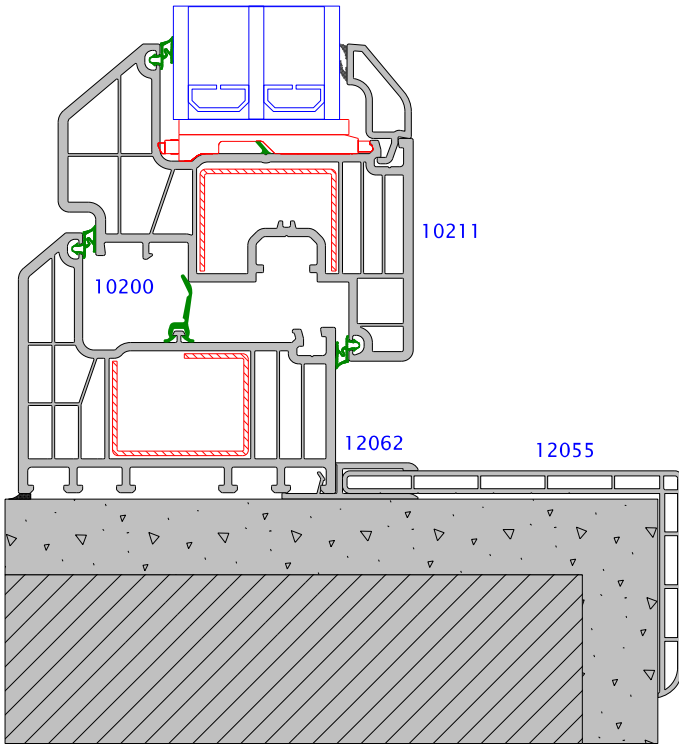
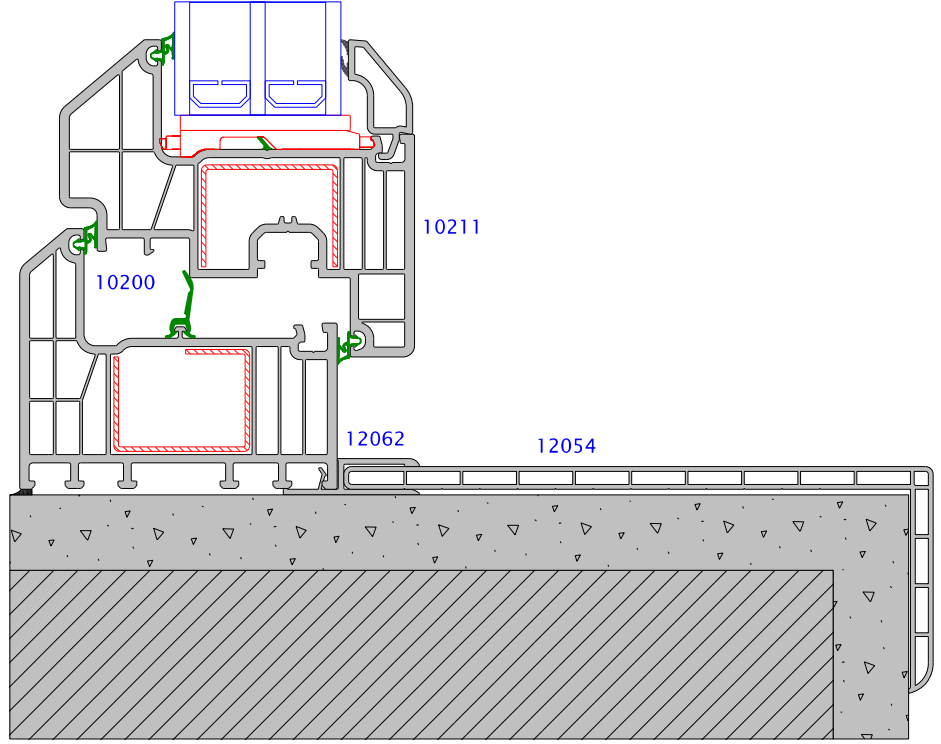
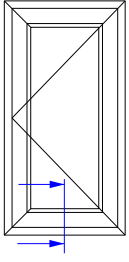


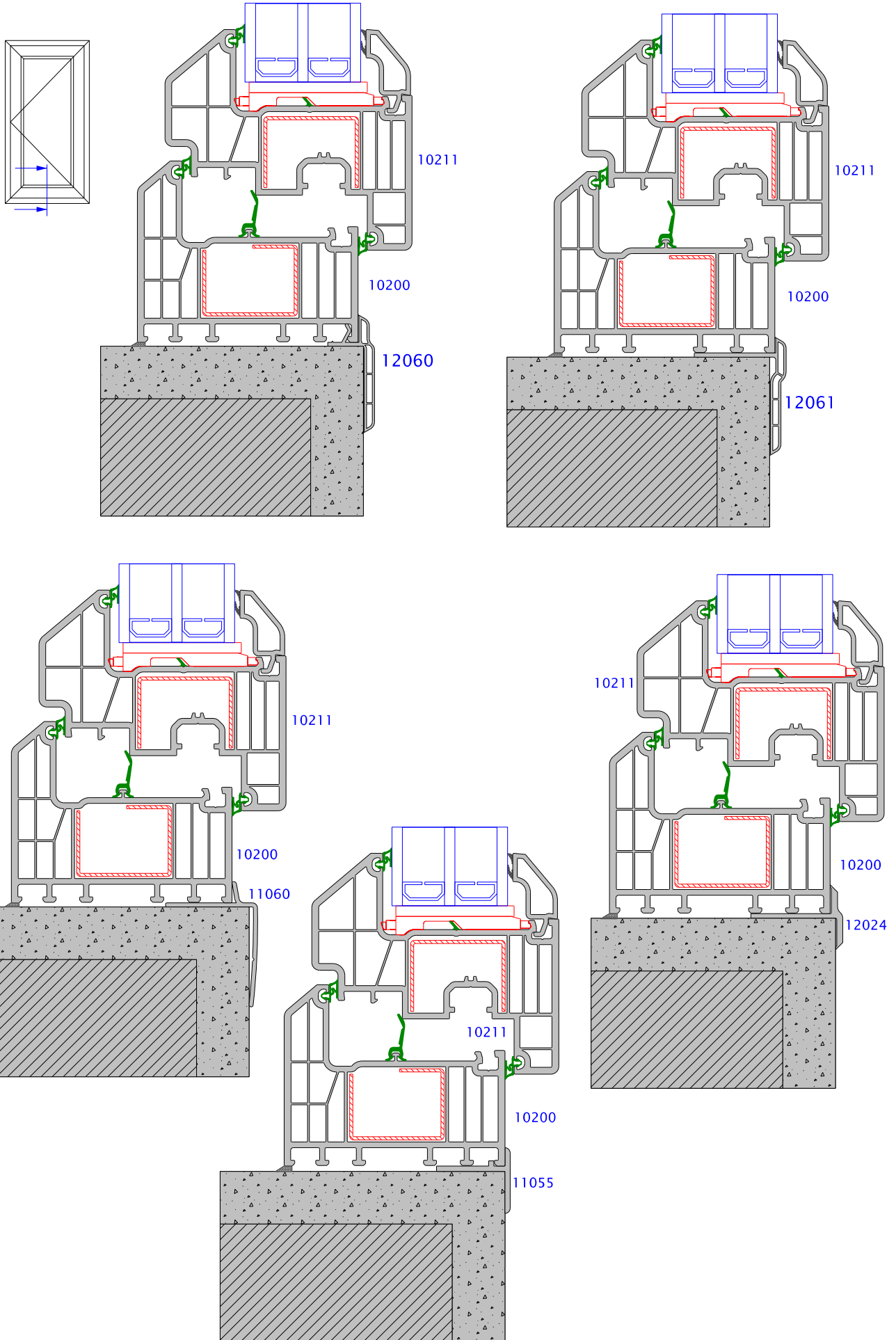


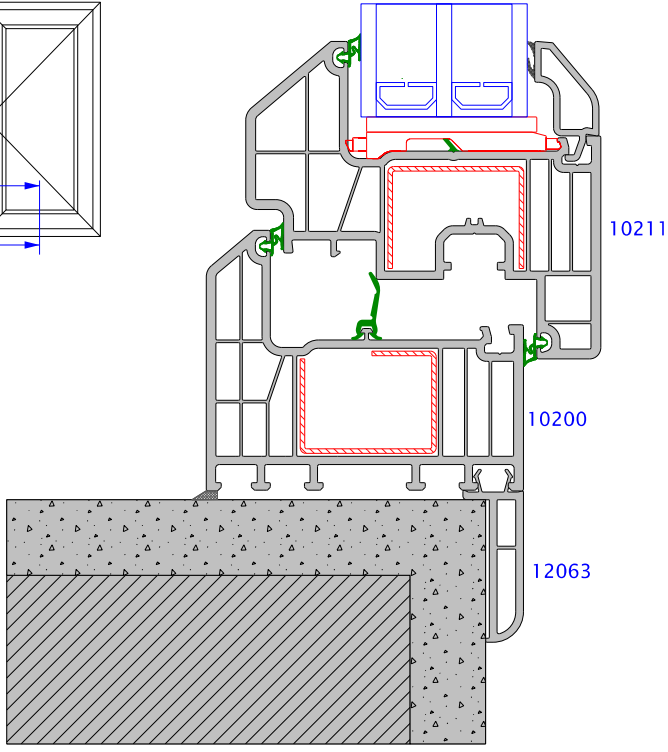
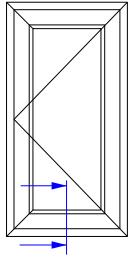








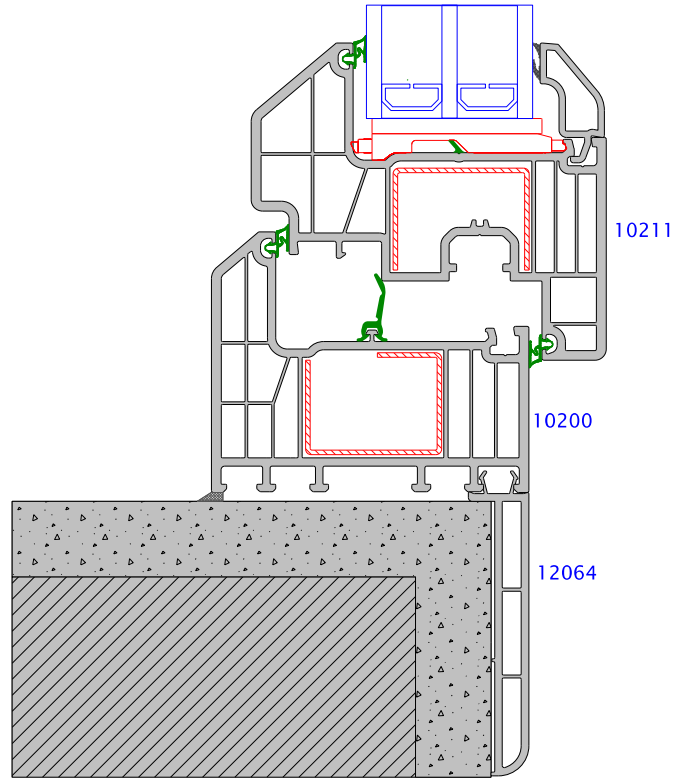




10211

10200

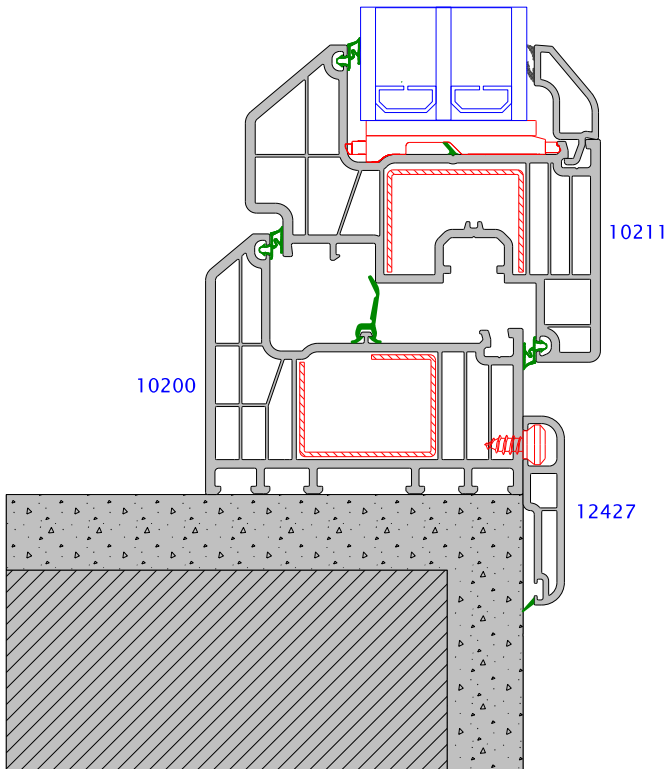
12063



10211

10200

12064



10211

10200

12427

winsa[®]
www.winsa.com.tr